



PARTS CATALOGUE

YZ250FN (5NL1) USA

YZ250F (5NL2) EUROPE

YZ250F (5NL3) JAPAN

YZ250FN (5NL4) OCEANIA, CANADA, SOUTH AFRICA

YAMAHA
GENUINE
Parts & Accessories

215NL-100E1



A3

CONTENTS

ENGINE

CYLINDER	B2
CRANKSHAFT. PISTON	B4
VALVE	B5
CAMSHAFT. CHAIN	B7
WATER PUMP	B8
RADIATOR. HOSE	B9
OIL PUMP	B10
OIL CLEANER	B12
INTAKE	B13
CARBURETOR	B14
EXHAUST	C4
CRANKCASE	C5
CRANKCASE COVER 1	C6
STARTER	C7
CLUTCH	C8
TRANSMISSION	C10
SHIFT CAM. FORK	C12
SHIFT SHAFT	C13

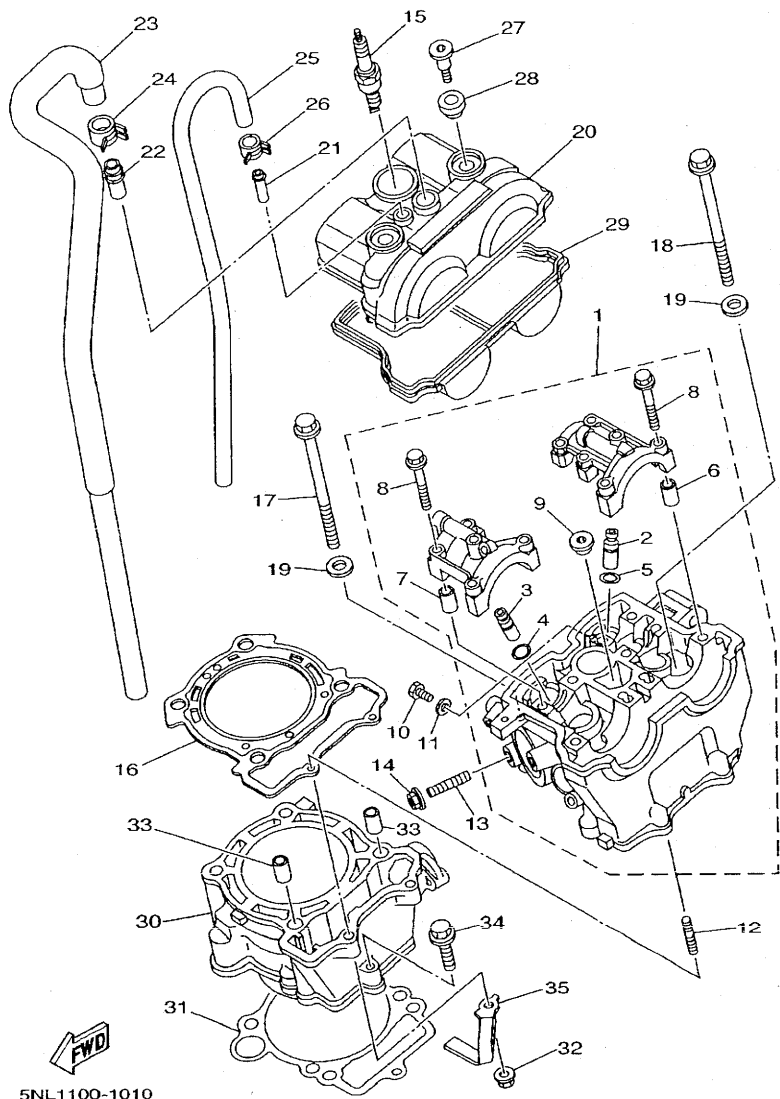
CHASSIS

FRAME	C14
FENDER	D2
SIDE COVER	D3
REAR ARM	D4
REAR SUSPENSION	D6
STEERING	D8
FRONT FORK	D9
FUEL TANK	D12
SEAT	D13

FRONT WHEEL	D14
FRONT BRAKE CALIPER	D15
REAR WHEEL	E2
REAR BRAKE CALIPER	E4
STEERING HANDLE. CABLE	E5
FRONT MASTER CYLINDER	E6
STAND. FOOTREST	E7
REAR MASTER CYLINDER	E8
GENERATOR	E9
HANDLE SWITCH. LEVER	E10
ELECTRICAL 1	E11
ALTERNATE (CHASSIS)	E12

INDEX

NUMERICAL INDEX	M1
-----------------------	----



5NL1100-1010

FIG. 1 CYLINDER

REF. NO.	PART NO.	DESCRIPTION	5NL1	5NL2	5NL3	5NL4	REMARKS
1	5NL-11102-00	CYLINDER HEAD ASSY	1	1	1	1	
2	5NL-11133-10	.GUIDE, INTAKE VALVE	3	3	3	3	
3	5NL-11134-10	.GUIDE, EXHAUST VALVE	2	2	2	2	
4	93440-10153	.CIRCLIP	2	2	2	2	
5	93440-07149	.CIRCLIP	3	3	3	3	
6	91808-16023	.PIN, DOWEL	2	2	2	2	
7	91808-16023	.PIN, DOWEL	2	2	2	2	
8	90105-067A6	.BOLT, WASHER BASED	10	10	10	10	
9	90340-12112	.PLUG, STRAIGHT SCREW	1	1	1	1	
10	95027-06012	BOLT, FLANGE	1	1	1	1	
11	90430-06014	GASKET	1	1	1	1	
12	90116-06541	BOLT, STUD	2	2	2	2	
13	95617-08620	BOLT, STUD	1	1	1	1	
14	95707-08500	NUT, FLANGE	1	1	1	1	
15	94701-00330	PLUG, SPARK (NGK CR8E)	1	1		1	STD
	94701-00329	PLUG, SPARK (U24ESR-N)	1	1		1	STD
	94701-00318	PLUG, SPARK (NGK R CR9E)	1	1		1	AP
	94701-00319	PLUG, SPARK (ND U27ESR-N)	1	1		1	AP
	94703-00330	PLUG, SPARK (NGK CR8E)				1	STD
	94703-00329	PLUG, SPARK (U24ESR-N)				1	STD
	94703-00318	PLUG, SPARK (NGK R CR9E)				1	AP
	94703-00319	PLUG, SPARK (ND U27ESR-N)				1	AP
16	5NL-11181-00	GASKET, CYLINDER HEAD 1	1	1	1	1	
17	90105-09555	BOLT, WASHER BASED	2	2	2	2	
18	90105-09002	BOLT, WASHER BASED	2	2	2	2	
19	90201-096J9	WASHER, PLATE	4	4	4	4	
20	5NL-11191-00	COVER, CYLINDER HEAD 1	1	1	1	1	

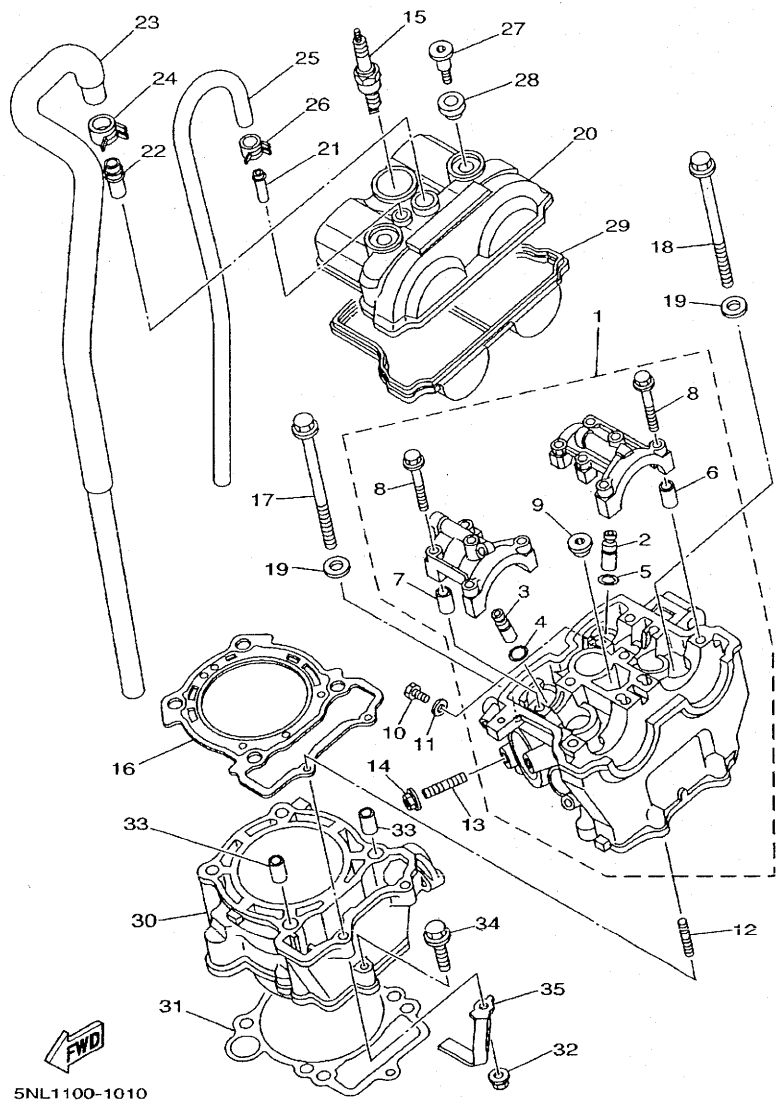
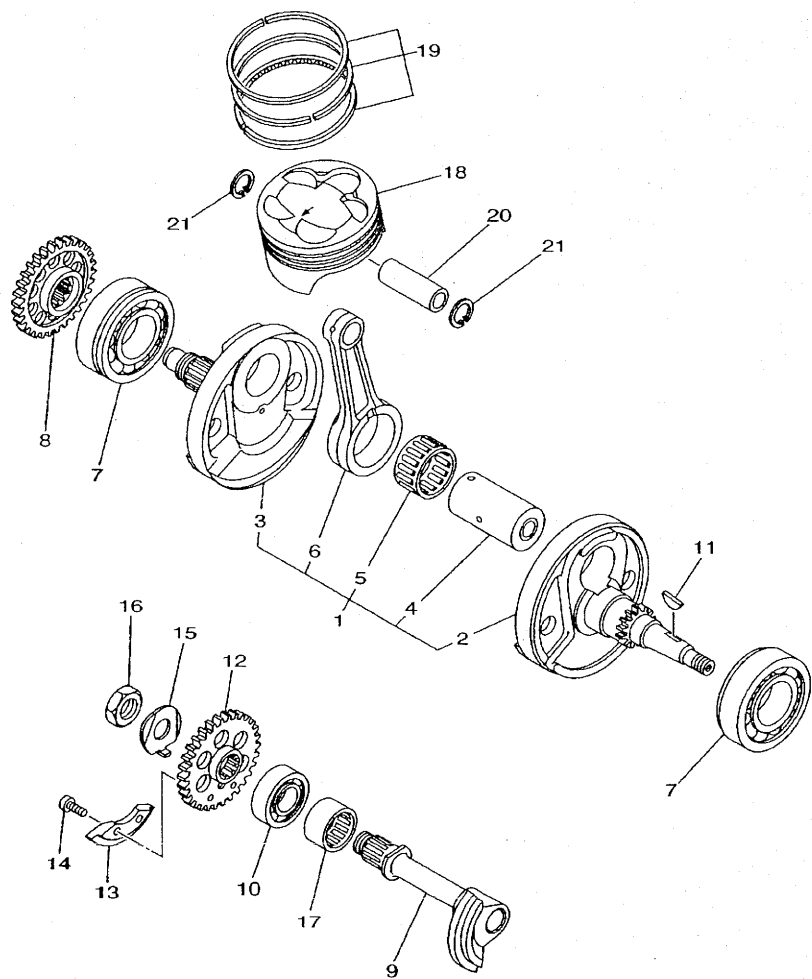


FIG. 1 CYLINDER

REF. NO.	PART NO.	DESCRIPTION	5NL1	5NL2	5NL3	5NL4	REMARKS
21	5BE-11167-00	PIPE, BREATHER 2	1	1	1	1	
22	371-11167-01	PIPE, BREATHER 2	1	1	1	1	
23	5BE-11166-00	PIPE, BREATHER 1	1	1	1	1	
24	90467-14015	CLIP	1	1	1	1	
25	90445-112K0	HOSE (L285)	1	1	1	1	
26	90467-11106	CLIP	2	2	2	2	
27	90109-066F0	BOLT	2	2	2	2	
28	4KG-1111G-00	RUBBER, MOUNT 1	2	2	2	2	
29	5NL-11193-00	GASKET, HEAD COVER 1	1	1	1	1	
30	5NL-11311-00	CYLINDER 1	1	1	1	1	
31	5NL-11351-00	GASKET, CYLINDER	1	1	1	1	
32	95704-06500	NUT, FLANGE	2	2	2	2	
33	93612-16254	PIN, DOWEL	2	2	2	2	
34	95027-06035	BOLT, FLANGE	1	1	1	1	
35	5JG-11387-00	CLAMP, HOSE 1	1	1	1	1	

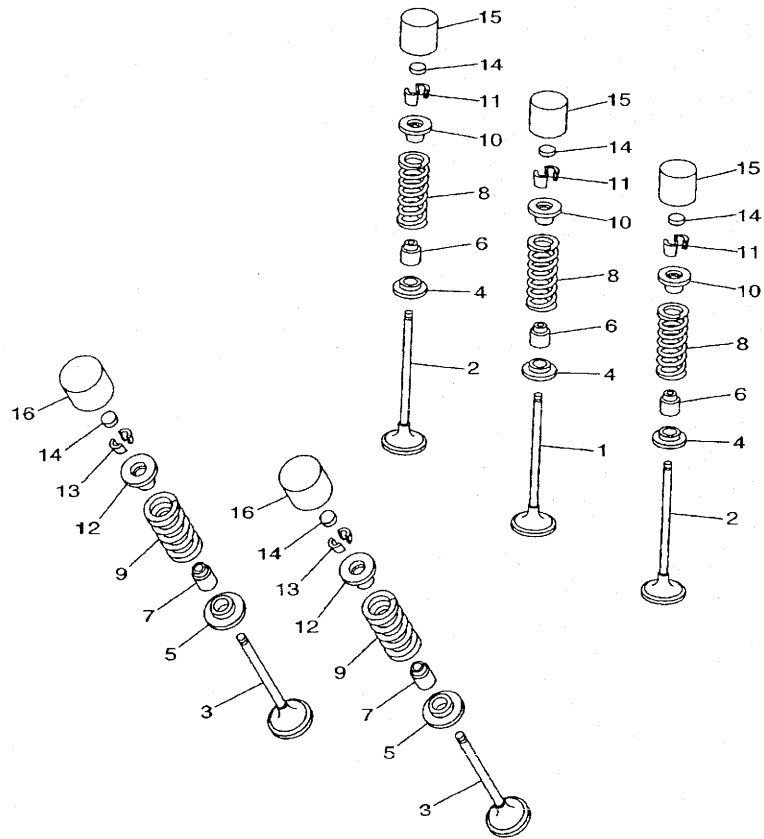
FIG. 2 CRANKSHAFT. PISTON



REF. NO.	PART NO.	DESCRIPTION	5NL1	5NL2	5NL3	5NL4	REMARKS
1	5NL-11400-00	CRANKSHAFT ASSY	1	1	1	1	
2	5NL-11412-00	.CRANK 1	1	1	1	1	
3	5NL-11422-00	.CRANK 2	1	1	1	1	
4	5NL-11681-00	.PIN, CRANK 1	1	1	1	1	
5	93310-63003	.BEARING	1	1	1	1	
6	5NL-11651-00	.ROD, CONNECTING	1	1	1	1	
7	93306-20648	BEARING	2	2	2	2	
8	5NL-11536-00	GEAR, DRIVE	1	1	1	1	
9	5NL-11455-00	SHAFT 1	1	1	1	1	
10	93306-20335	BEARING	1	1	1	1	
11	90280-03001	KEY, WOODRUFF	1	1	1	1	
12	5NL-11531-00	GEAR, BALANCE WT	1	1	1	1	
13	5NL-11454-00	WEIGHT 1	1	1	1	1	
14	90149-06250	SCREW	2	2	2	2	
15	90215-14204	WASHER, LOCK	1	1	1	1	
16	90170-14171	NUT	1	1	1	1	
17	93311-32261	BEARING	1	1	1	1	
18	5NL-11631-00	PISTON (STD)	1	1	1	1	
19	5NL-11603-00	PISTON RING SET (STD)	1	1	1	1	
20	5NL-11633-00	PIN, PISTON	1	1	1	1	
21	93420-16086	CIRCLIP	2	2	2	2	


5NL1100-1020

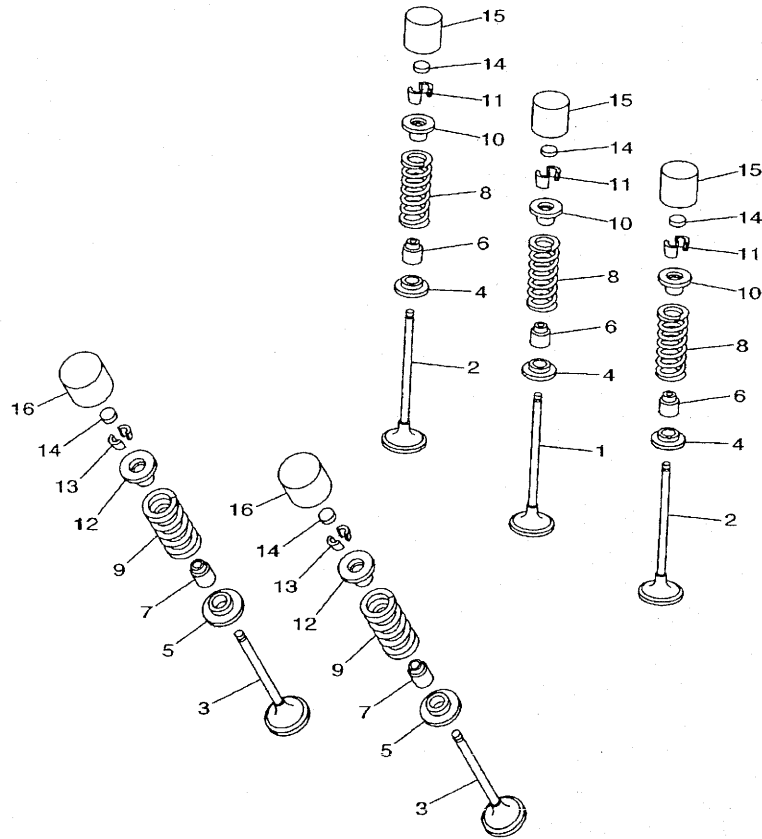
FIG. 3 VALVE



REF. NO.	PART NO.	DESCRIPTION	5NL1	5NL2	5NL3	5NL4	REMARKS
1	5NL-12111-00	VALVE, INTAKE	1	1	1	1	
2	5NL-12112-00	VALVE, INTAKE 2	2	2	2	2	
3	5NL-12121-00	VALVE, EXHAUST	2	2	2	2	
4	5NL-12116-00	SEAT, VALVE SPRING	3	3	3	3	
5	3GM-12126-00	SEAT, VALVE SPRING 2	2	2	2	2	
6	4TV-12119-00	SEAL, VALVE STEM	3	3	3	3	
7	4SV-12119-00	SEAL, VALVE STEM	2	2	2	2	
8	5NL-12113-00	SPRING, VALVE INNER	3	3	3	3	
9	5NL-12114-00	SPRING, VALVE OUTER	2	2	2	2	
10	1HX-12117-00	RETAINER, VALVE SPRING	3	3	3	3	
11	1HX-12118-00	COTTER, VALVE	6	6	6	6	
12	1WG-12117-00	RETAINER, VALVE SPRING	2	2	2	2	
13	1WG-12118-00	COTTER, VALVE	4	4	4	4	
14	1HX-12168-00	PAD, ADJUSTING 2 (1.20)	5	5	5	5	UR
	1HX-12168-20	PAD, ADJUSTING 2 (1.25)	5	5	5	5	UR
	1HX-12168-40	PAD, ADJUSTING 2 (1.30)	5	5	5	5	UR
	1HX-12168-60	PAD, ADJUSTING 2 (1.35)	5	5	5	5	UR
	1HX-12168-80	PAD, ADJUSTING 2 (1.40)	5	5	5	5	UR
	1HX-12168-A0	PAD, ADJUSTING 2 (1.45)	5	5	5	5	UR
	1HX-12168-F0	PAD, ADJUSTING 2 (1.50)	5	5	5	5	UR
	1HX-12168-H1	PAD, ADJUSTING 2 (1.55)	5	5	5	5	UR
	1HX-12168-K1	PAD, ADJUSTING 2 (1.60)	5	5	5	5	UR
	1HX-12168-M1	PAD, ADJUSTING 2 (1.65)	5	5	5	5	UR
	1HX-12168-R1	PAD, ADJUSTING 2 (1.70)	5	5	5	5	UR
	1HX-12168-U1	PAD, ADJUSTING 2 (1.75)	5	5	5	5	UR
	1HX-12168-W1	PAD, ADJUSTING 2 (1.80)	5	5	5	5	UR
	1HX-12168-Y1	PAD, ADJUSTING 2 (1.85)	5	5	5	5	UR


5NL1100-1030

FIG. 3 VALVE



REF. NO.	PART NO.	DESCRIPTION	5NL1	5NL2	5NL3	5NL4	REMARKS
14	1HX-12169-11	PAD, ADJUSTING 2 (1.90)	5	5	5	5	UR
	1HX-12169-31	PAD, ADJUSTING 2 (1.95)	5	5	5	5	UR
	1HX-12169-50	PAD, ADJUSTING 2 (2.00)	5	5	5	5	UR
	1HX-12169-70	PAD, ADJUSTING 2 (2.05)	5	5	5	5	UR
	1HX-12169-90	PAD, ADJUSTING 2 (2.10)	5	5	5	5	UR
	1HX-12169-E0	PAD, ADJUSTING 2 (2.15)	5	5	5	5	UR
	1HX-12169-G0	PAD, ADJUSTING 2 (2.20)	5	5	5	5	UR
	1HX-12169-J0	PAD, ADJUSTING 2 (2.25)	5	5	5	5	UR
	1HX-12169-L0	PAD, ADJUSTING 2 (2.30)	5	5	5	5	UR
	1HX-12169-N0	PAD, ADJUSTING 2 (2.35)	5	5	5	5	UR
	1HX-12169-T0	PAD, ADJUSTING 2 (2.40)	5	5	5	5	UR
15	3LN-12153-00	LIFTER, VALVE	3	3	3	3	UR BLACK
	3LN-12153-10	LIFTER, VALVE	3	3	3	3	UR YELLOW
	3LN-12153-20	LIFTER, VALVE	3	3	3	3	UR BLUE
	3LN-12153-30	LIFTER, VALVE	3	3	3	3	UR RED
16	3FV-12153-00	LIFTER, VALVE	2	2	2	2	UR BLACK
	3FV-12153-10	LIFTER, VALVE	2	2	2	2	UR YELLOW
	3FV-12153-20	LIFTER, VALVE	2	2	2	2	UR BLUE
	3FV-12153-30	LIFTER, VALVE	2	2	2	2	UR RED



5NL1100-1030

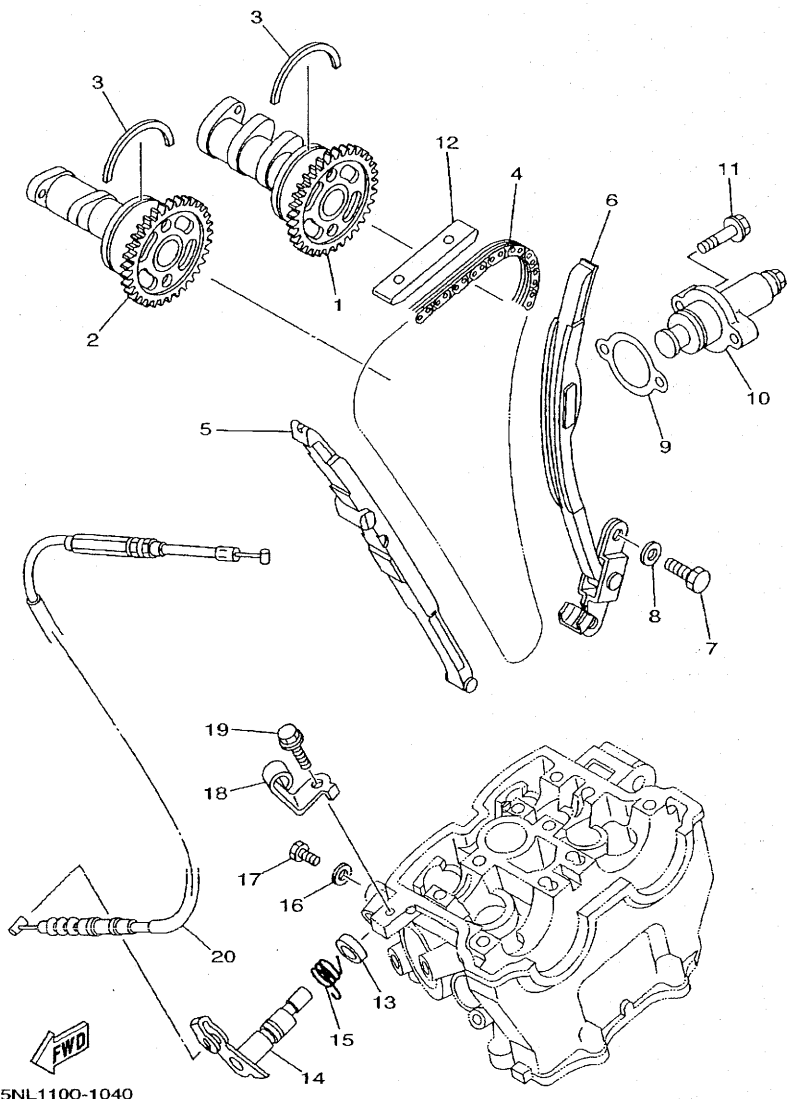
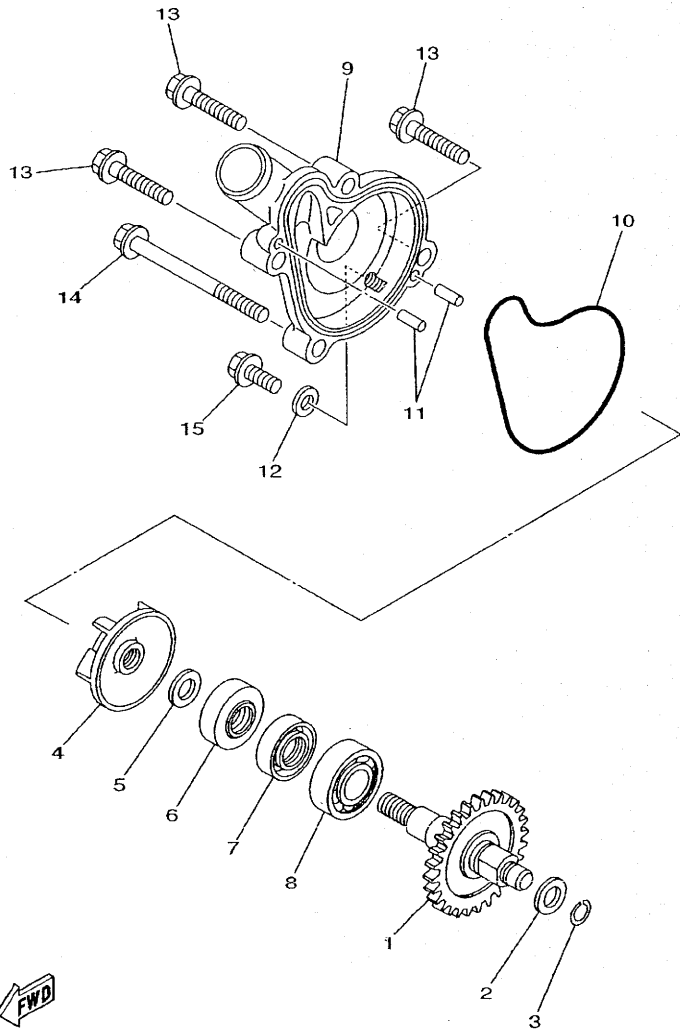


FIG. 4 CAMSHAFT CHAIN

REF. NO.	PART NO.	DESCRIPTION	5NL1	5NL2	5NL3	5NL4	REMARKS
1	5NL-12170-00	CAMSHAFT ASSY 1	1	1	1	1	
2	5NL-12180-00	CAMSHAFT ASSY 2	1	1	1	1	
3	93440-41178	CIRCLIP	2	2	2	2	
4	94591-53114	CHAIN	1	1	1	1	
5	5NL-12251-00	DAMPER, CHAIN 1	1	1	1	1	
6	5NL-12252-00	DAMPER, CHAIN 2	1	1	1	1	
7	97027-06016	BOLT	2	2	2	2	
8	92907-06600	WASHER, PLATE	2	2	2	2	
9	4FM-12213-00	GASKET, TENSIONER CASE	1	1	1	1	
10	5BE-12210-00	TENSIONER ASSY, CAM CHAIN	1	1	1	1	
11	95027-06025	BOLT, FLANGE	2	2	2	2	
12	5BE-12241-00	GUIDE, STOPPER 2	1	1	1	1	
13	93102-12224	OIL SEAL	1	1	1	1	
14	5BE-12280-10	DECOMPRESSION ASSY	1	1	1	1	
15	90508-162B2	SPRING, TORSION	1	1	1	1	
16	90430-06014	GASKET	1	1	1	1	
17	90109-06418	BOLT	1	1	1	1	
18	5NL-12283-00	BRACKET, DECOMPRESSION	1	1	1	1	
19	95827-06014	BOLT, FLANGE	1	1	1	1	
20	5BE-12292-10	CABLE, DECOMPRESSION	1	1	1	1	

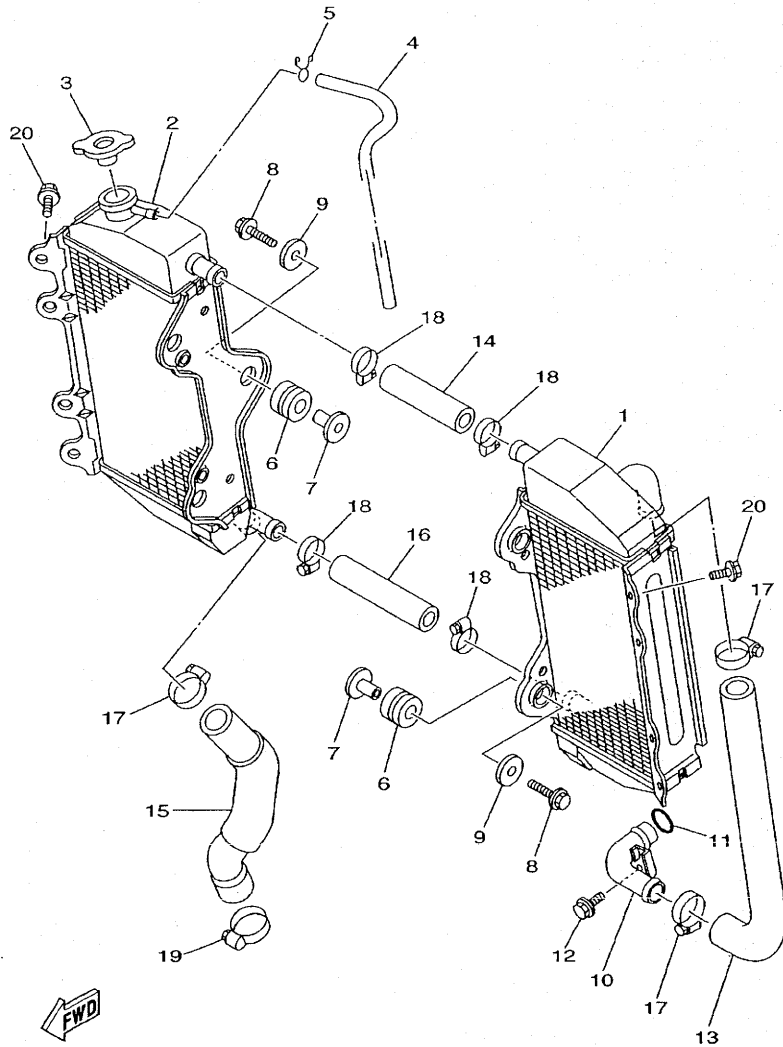
FIG. 5 WATER PUMP



REF. NO.	PART NO.	DESCRIPTION	5NL1	5NL2	5NL3	5NL4	REMARKS
1	5NL-12459-00	GEAR, IMPELLER SHAFT	1	1	1	1	
2	90201-08512	WASHER, PLATE	1	1	1	1	
3	93440-07182	CIRCLIP	1	1	1	1	
4	5DH-12451-00	IMPELLER, WATER PUMP	1	1	1	1	
5	90201-08512	WASHER, PLATE	1	1	1	1	
6	93109-11073	OIL SEAL	1	1	1	1	
7	93102-12106	OIL SEAL (SD 12-22-5 HS)	1	1	1	1	
8	93306-00105	BEARING (B6001)	1	1	1	1	
9	5NL-12422-00	COVER, HOUSING	1	1	1	1	
10	5NL-12439-00	O-RING	1	1	1	1	
11	93604-10011	PIN, DOWEL	2	2	2	2	
12	90430-06014	GASKET	1	1	1	1	
13	95027-06025	BOLT, FLANGE	3	3	3	3	
14	95027-06065	BOLT, FLANGE	1	1	1	1	
15	95027-06012	BOLT, FLANGE	1	1	1	1	


5NL1100-1050

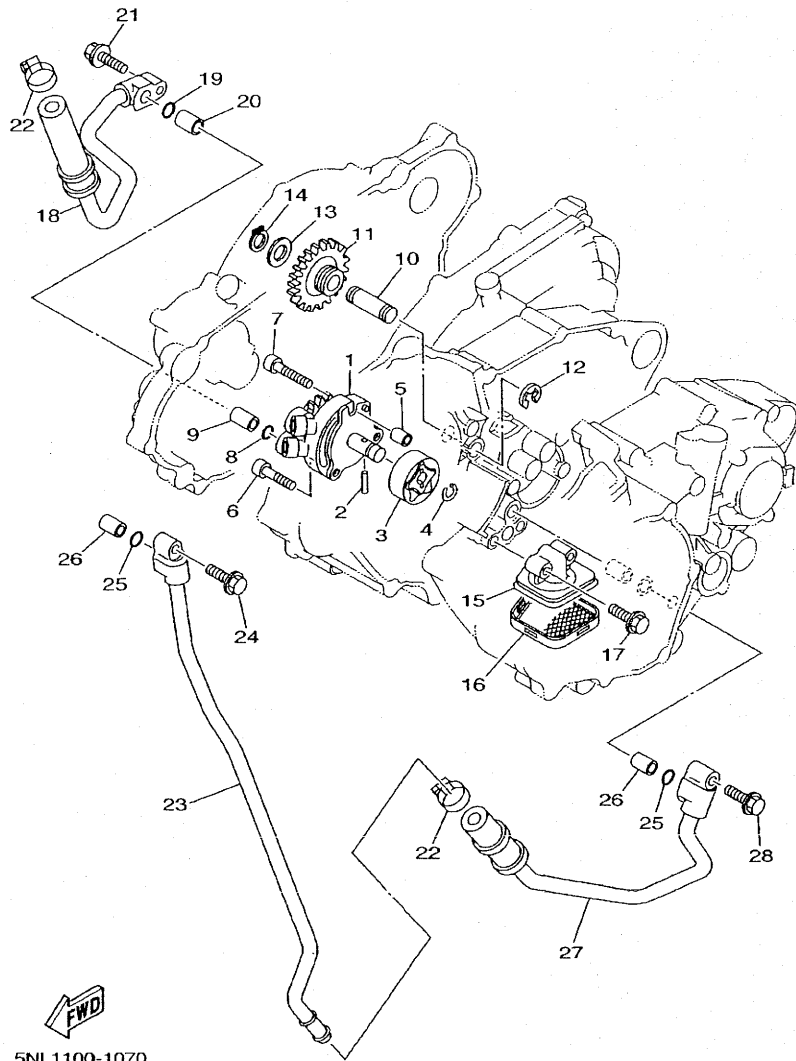
FIG. 6 RADIATOR HOSE



5NL1100-1060

REF. NO.	PART NO.	DESCRIPTION	5NL1	5NL2	5NL3	5NL4	REMARKS
1	5NL-1240A-00	RADIATOR ASSY	1	1	1	1	
2	5NL-12461-00	RADIATOR ASSY	1	1	1	1	
3	5HD-12462-00	CAP, RADIATOR	1	1	1	1	
4	91A20-05065	TUBE, FLEXIBLE VINYL	1	1	1	1	
5	90467-09006	CLIP	1	1	1	1	
6	90480-15528	GROMMET	6	6	6	6	
7	90387-0614M	COLLAR	6	6	6	6	
8	95027-06025	BOLT, FLANGE	6	6	6	6	
9	90201-06071	WASHER, PLATE	6	6	6	6	
10	5NL-12481-00	PIPE 1	1	1	1	1	
11	93210-15414	O-RING	1	1	1	1	
12	95027-06012	BOLT, FLANGE	1	1	1	1	
13	5NL-12576-00	HOSE 1	1	1	1	1	
14	5NL-12577-00	HOSE 2	1	1	1	1	
15	5NL-12578-00	HOSE 3	1	1	1	1	
16	5NL-12579-00	HOSE 4	1	1	1	1	
17	90450-25037	HOSE CLAMP ASSY	3	3	3	3	
18	90450-22017	HOSE CLAMP ASSY	4	4	4	4	
19	90450-32015	HOSE CLAMP ASSY	1	1	1	1	
20	95827-06010	BOLT, FLANGE	2	2	2	2	

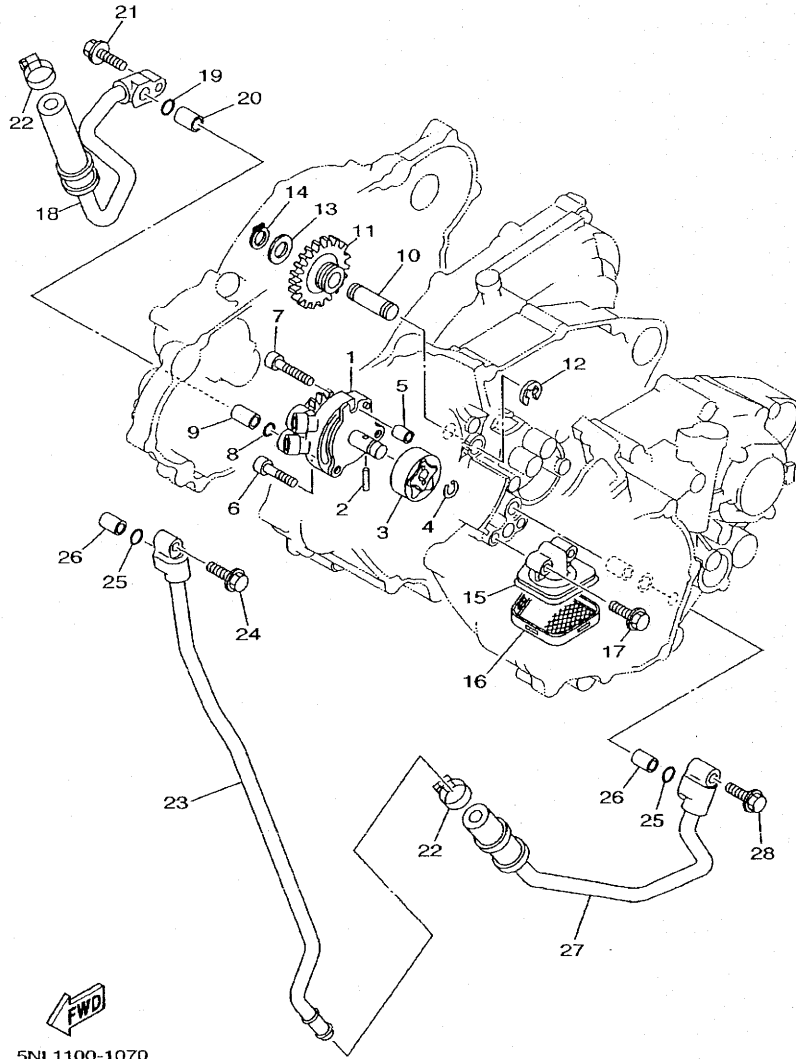
FIG. 7 OIL PUMP



5NL1100-1070

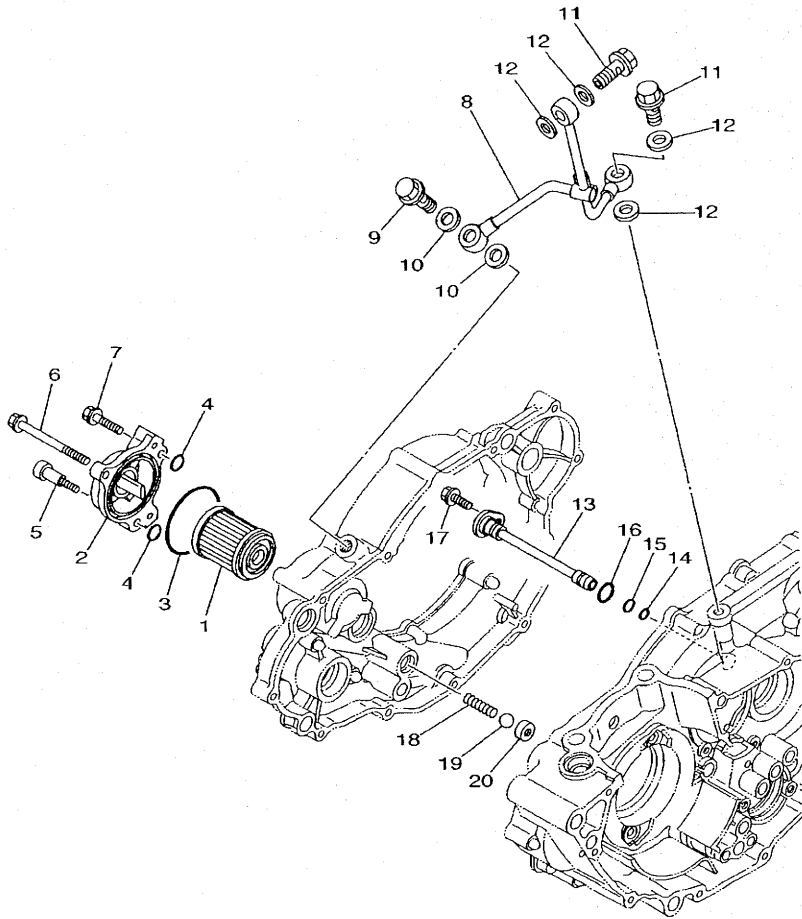
REF. NO.	PART NO.	DESCRIPTION	5NL1	5NL2	5NL3	5NL4	REMARKS
1	5NL-13300-00	OIL PUMP ASSY	1	1	1	1	
2	93603-16219	PIN, DOWEL	1	1	1	1	
3	5NL-13320-00	ROTOR ASSY 2	1	1	1	1	
4	93440-10153	CIRCLIP	1	1	1	1	
5	99530-08012	PIN, DOWEL	1	1	1	1	
6	91317-06025	BOLT	2	2	2	2	
7	91314-06030	BOLT	1	1	1	1	
8	93210-10197	O-RING	1	1	1	1	
9	99530-10114	PIN, DOWEL	1	1	1	1	
10	5BE-13342-00	SHAFT, IDLE GEAR	1	1	1	1	
11	5NL-13341-00	GEAR, OIL PUMP IDLE	1	1	1	1	
12	99001-08600	CIRCLIP	1	1	1	1	
13	90201-12166	WASHER, PLATE	1	1	1	1	
14	99009-12400	CIRCLIP	1	1	1	1	
15	5NL-13412-00	HOUSING, STRAINER	1	1	1	1	
16	5NL-13411-00	STRAINER, OIL	1	1	1	1	
17	95027-06025	BOLT, FLANGE	2	2	2	2	
18	5NL-13464-00	HOSE, OIL 1	1	1	1	1	
19	93210-10197	O-RING	1	1	1	1	
20	99530-10114	PIN, DOWEL	1	1	1	1	
21	95027-06025	BOLT, FLANGE	1	1	1	1	
22	90450-22017	HOSE CLAMP ASSY	2	2	2	2	
23	5NL-13416-00	PIPE, OIL 1	1	1	1	1	
24	95024-06020	BOLT, FLANGE	1	1	1	1	
25	93210-10197	O-RING	2	2	2	2	
26	99530-10114	PIN, DOWEL	2	2	2	2	
27	5NL-13465-00	HOSE, OIL 2	1	1	1	1	

FIG. 7 OIL PUMP



REF. NO.	PART NO.	DESCRIPTION	5NL1	5NL2	5NL3	5NL4	REMARKS
28	95027-06025	BOLT, FLANGE	1	1	1	1	

FIG. 8 OIL CLEANER

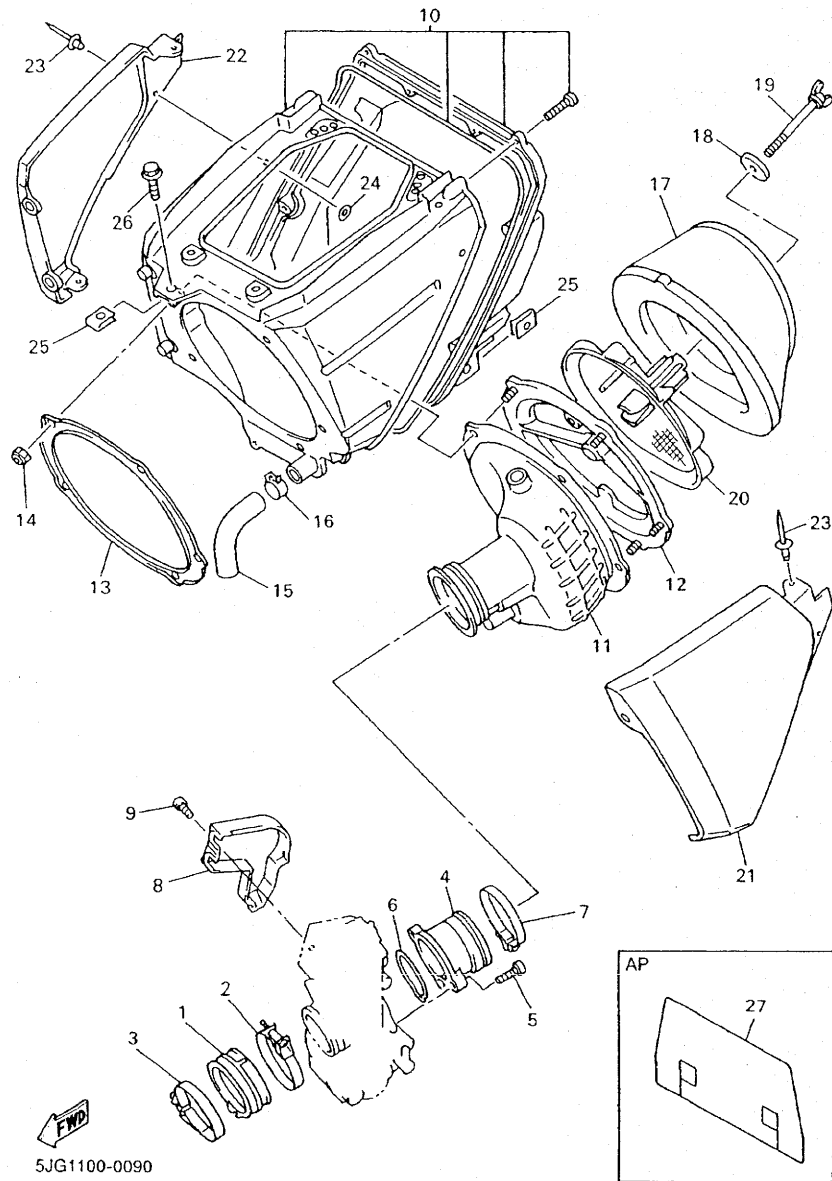


REF. NO.	PART NO.	DESCRIPTION	5NL1	5NL2	5NL3	5NL4	REMARKS
1	1UY-13440-02	ELEMENT ASSY, OIL CLEANER	1	1	1	1	
2	5BE-13447-00	COVER, OIL ELEMENT	1	1	1	1	
3	93210-47675	O-RING	1	1	1	1	
4	93210-07135	O-RING	3	3	3	3	
5	90109-065G2	BOLT	1	1	1	1	
6	95027-06065	BOLT, FLANGE	1	1	1	1	
7	95027-06025	BOLT, FLANGE	1	1	1	1	
8	5NL-13161-00	PIPE, DELIVERY 1	1	1	1	1	
9	90401-10159	BOLT, UNION	1	1	1	1	
10	90430-10188	GASKET	2	2	2	2	
11	90401-08038	BOLT, UNION	2	2	2	2	
12	90430-08119	GASKET	4	4	4	4	
13	5NL-13171-00	PIPE, DELIVERY 2	1	1	1	1	
14	93210-07003	O-RING	1	1	1	1	
15	93210-09008	O-RING	1	1	1	1	
16	93210-12759	O-RING	1	1	1	1	
17	95027-06012	BOLT, FLANGE	1	1	1	1	
18	90501-043E0	SPRING, COMPRESSION	1	1	1	1	
19	93503-08007	BALL	1	1	1	1	
20	583-13113-00	SEAT, CHECK BALL	1	1	1	1	



5NL1100-1080

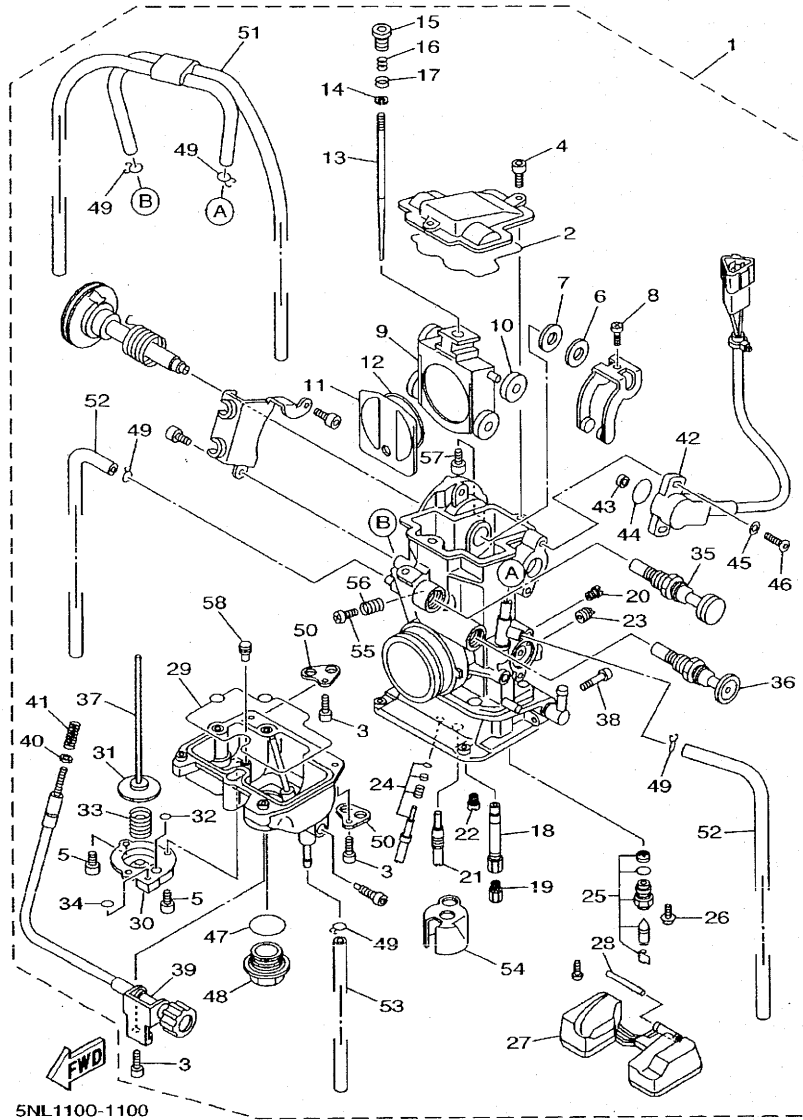
FIG. 9 INTAKE



5JG1100-0090

REF. NO.	PART NO.	DESCRIPTION	5NL1	5NL2	5NL3	5NL4	REMARKS
1	5NL-13597-00	JOINT, CARBURETOR 3	1	1	1	1	
2	90450-57092	HOSE CLAMP ASSY	1	1	1	1	
3	90450-54093	HOSE CLAMP ASSY	1	1	1	1	
4	5JG-1440F-01	JOINT, AIR FILTER 1	1	1	1	1	
5	91317-05014	BOLT	2	2	2	2	
6	4FN-14561-00	O-RING	1	1	1	1	
7	90450-61001	HOSE CLAMP ASSY	1	1	1	1	
8	5JG-14293-01	COVER 1	1	1	1	1	
9	5JG-14428-00	BOLT	1	1	1	1	
10	5JG-14401-00	AIR CLEANER CASE ASSY	1	1	1	1	
11	5JG-14453-00	JOINT, AIR CLEANER 1	1	1	1	1	
12	3JD-14459-01	HOLDER, GUIDE	1	1	1	1	
13	5MV-14477-00	PLATE	1	1	1	1	
14	95607-05100	NUT, U	5	5	5	5	
15	5BE-1443E-00	PIPE, DRAIN	1	1	1	1	
16	90467-17089	CLIP	1	1	1	1	
17	4XM-14451-00	ELEMENT, AIR CLEANER	1	1	1	1	
18	90209-06096	WASHER	1	1	1	1	
19	90122-06035	BOLT, WING	1	1	1	1	
20	5BE-14458-00	GUIDE	1	1	1	1	
21	5BE-1441A-10	COVER, CLEANER CASE 1	1	1	1	1	
22	5BE-1441E-10	COVER, CLEANER CASE 2	1	1	1	1	
23	90267-32070	RIVET, BLIND	5	5	5	5	
24	90201-03313	WASHER, PLATE	5	5	5	5	
25	90183-06023	NUT, SPRING	2	2	2	2	
26	95027-06012	BOLT, FLANGE	1	1	1	1	
27	5JG-14417-00	COVER 1	1	1	1	1	AP

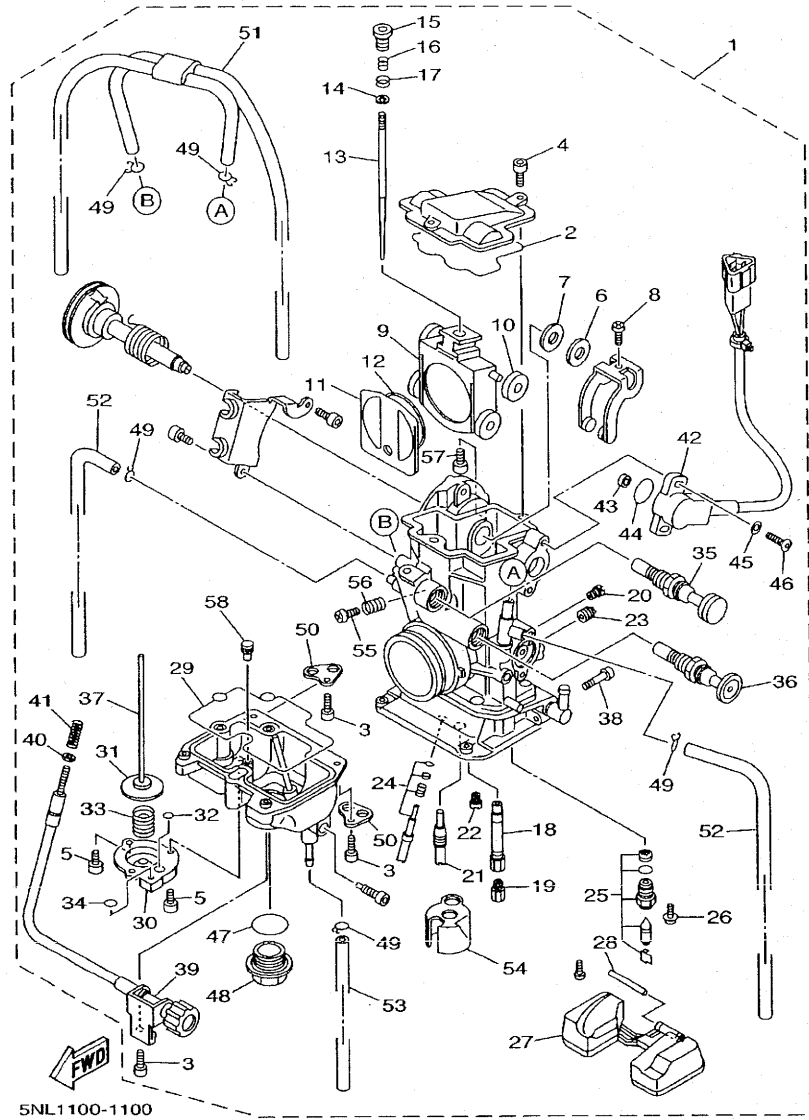
FIG. 10 CARBURETOR



5NL1100-1100

REF. NO.	PART NO.	DESCRIPTION	5NL1	5NL2	5NL3	5NL4	REMARKS
1	5NL-14101-00	CARBURETOR ASSY 1	1		1	1	
	-5NL-14101-10	CARBURETOR ASSY 1		1			
2	5JG-14959-00	.GASKET	1	1	1	1	
3	91316-04012	.BOLT	4	4	4	4	
4	91316-04012	.BOLT	2	2	2	2	
5	91316-04008	.BOLT	3	3	3	3	
6	90202-08045	.WASHER, PLATE	1	1	1	1	
7	5JG-14951-00	.WASHER	1	1	1	1	
8	5JG-14522-00	.SCREW, ADJUST	1	1	1	1	
9	5JG-14388-00	.VALVE, VACUUM CONTROL	1	1	1	1	
10	3TJ-14267-40	.ROLLER	1	1	1	1	
11	5JG-14546-00	.VALVE, NEEDLE	1	1	1	1	
12	4FN-14997-00	.SEAL	1	1	1	1	
13	5NL-14916-EP	.NEEDLE (#OBELP)	1		1	1	STD
	5NL-14916-EM	.NEEDLE (#OBELM)	1		1	1	AP
	5NL-14916-EN	.NEEDLE (#OBELN)	1		1	1	AP
	5NL-14916-E1	.NEEDLE (#OBELQ)	1		1	1	AP
	5NL-14916-ER	.NEEDLE (#OBELR)	1		1	1	AP
	5NL-14916-ES	.NEEDLE (#OBELS)	1		1	1	AP
	5NL-14916-EL	.NEEDLE (#OBELL)	1		1	1	AP
	5JG-14916-JP	.NEEDLE (#EJP)		1			STD
	5JG-14916-JS	.NEEDLE (#EJS)		1			AP
	5JG-14916-JR	.NEEDLE (#EJR)		1			AP
	5JG-14916-J1	.NEEDLE (#EJQ)		1			AP
	5JG-14916-JN	.NEEDLE (#EJN)		1			AP
	5JG-14916-JM	.NEEDLE (#EJM)		1			AP
	5JG-14916-JL	.NEEDLE (#EJL)		1			AP

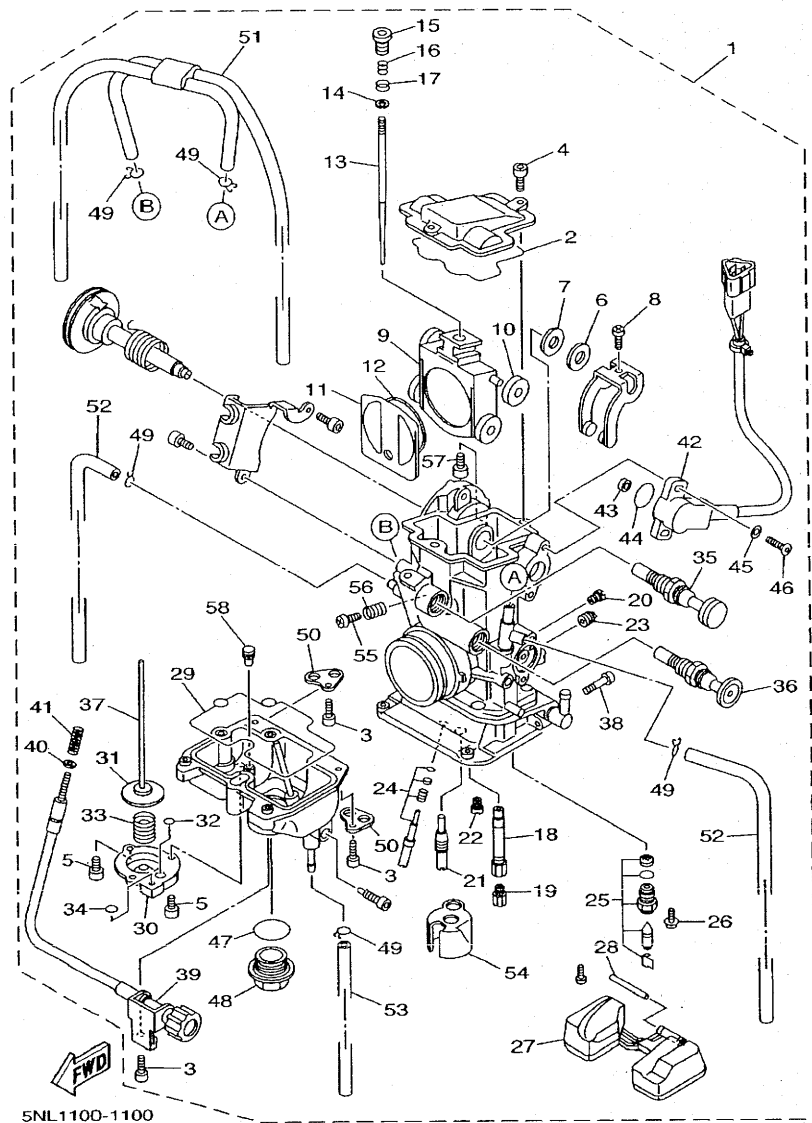
FIG. 10 CARBURETOR



5NL1100-1100

REF. NO.	PART NO.	DESCRIPTION	5NL1	5NL2	5NL3	5NL4	REMARKS
14	3TJ-14159-40	.CLIP	1	1	1	1	
15	5JG-14521-00	.SCREW, ADJUST	1	1	1	1	
16	5JG-14275-00	.SPRING	1	1	1	1	
17	5JG-14264-00	.COLLAR	1	1	1	1	
18	5JG-14947-00	.NOZZLE, MAIN	1	1	1	1	
19	4MX-14943-42	.JET, MAIN (#175)	1	1	1	1	STD
	4MX-14943-40	.JET, MAIN (#165)	1	1	1	1	AP
	4MX-14943-91	.JET, MAIN (#168)	1	1	1	1	AP
	4MX-14943-41	.JET, MAIN (#170)	1	1	1	1	AP
	4MX-14943-92	.JET, MAIN (#172)	1	1	1	1	AP
	4MX-14943-93	.JET, MAIN (#178)	1	1	1	1	AP
	4MX-14943-43	.JET, MAIN (#180)	1	1	1	1	AP
	4MX-14943-94	.JET, MAIN (#182)	1	1	1	1	AP
	4MX-14943-44	.JET, MAIN (#185)	1	1	1	1	AP
	4MX-14943-95	.JET, MAIN (#188)	1	1	1	1	AP
	4MX-14943-45	.JET, MAIN (#190)	1	1	1	1	AP
20	3TJ-14943-47	.JET (#200)	1	1	1	1	
21	4MX-14948-04	.JET, SLOW (#42)	1	1	1	1	STD
	4MX-14948-01	.JET, SLOW (#35)	1	1	1	1	AP
	4MX-14948-02	.JET, SLOW (#38)	1	1	1	1	AP
	4MX-14948-03	.JET, SLOW (#40)	1	1	1	1	AP
	4MX-14948-05	.JET, SLOW (#45)	1	1	1	1	AP
	4MX-14948-06	.JET, SLOW (#48)	1	1	1	1	AP
	4MX-14948-07	.JET, SLOW (#50)	1	1	1	1	AP
22	3TJ-1494F-16	.JET (#72)	1	1	1	1	STD
	3TJ-1494F-12	.JET (#62)	1	1	1	1	AP
	3TJ-1494F-13	.JET (#65)	1	1	1	1	AP

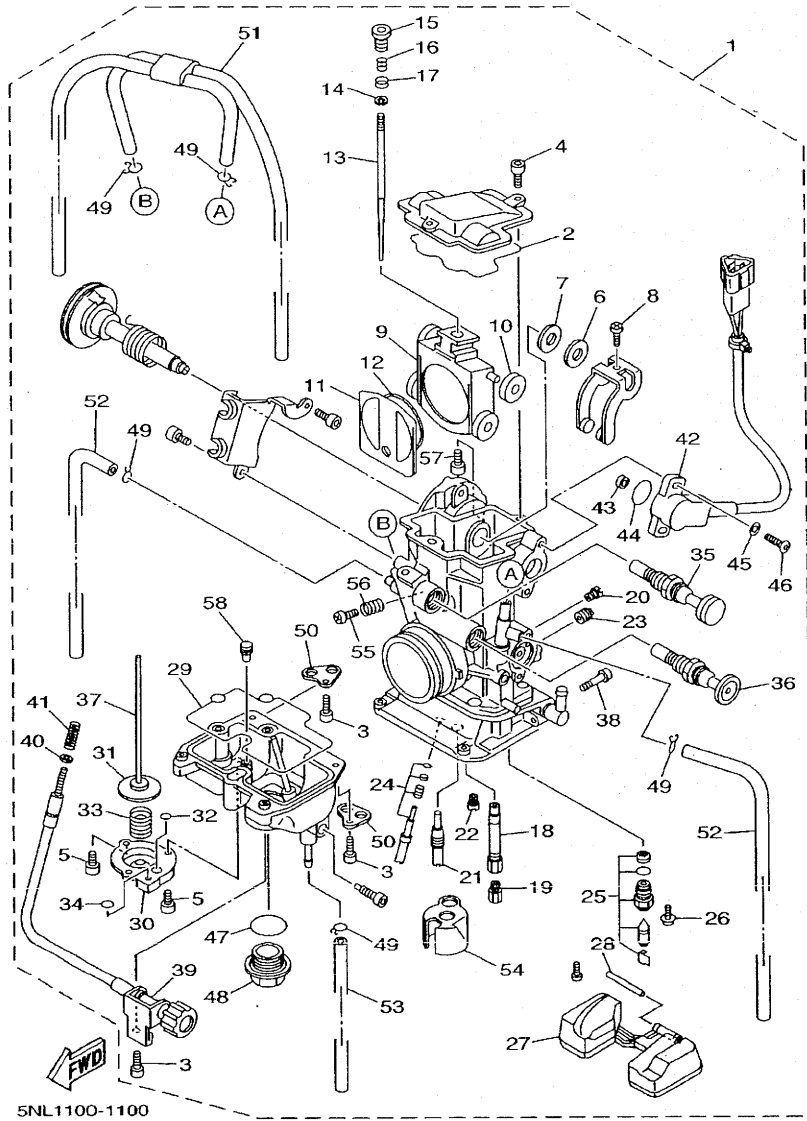
FIG. 10 CARBURETOR



5NL1100-1100

REF. NO.	PART NO.	DESCRIPTION	5NL1	5NL2	5NL3	5NL4	REMARKS
22	3TJ-1494F-14	.JET (#68)	1	1	1	1	AP
	3TJ-1494F-15	.JET (#70)	1	1	1	1	AP
	3TJ-1494F-17	.JET (#75)	1	1	1	1	AP
	3TJ-1494F-18	.JET (#78)	1	1	1	1	AP
	3TJ-1494F-19	.JET (#80)	1	1	1	1	AP
	3TJ-1494F-20	.JET (#82)	1	1	1	1	AP
23	7A9-14943-27	.JET (#100)	1	1	1	1	
24	5NL-14105-00	.PILOT SCREW SET	1	1	1	1	
25	5BE-14107-00	.NEEDLE VALVE SET	1	1	1	1	
26	5BE-14216-00	.SCREW	1	1	1	1	
27	4SR-14985-00	.FLOAT	1	1	1	1	
28	676-14548-00	.PIN, FLOAT ARM	1	1	1	1	
29	5JG-14984-00	.GASKET, FLOAT CHAMBER	1	1	1	1	
30	3TJ-14293-40	.COVER 1	1	1	1	1	
31	5JG-14940-75	.DIAPHRAGM ASSY	1	1	1	1	STD
	5JG-14940-06	.DIAPHRAGM ASSY	1		1	1	AP
	5JG-14940-05	.DIAPHRAGM ASSY		1			AP
	5JG-14940-07	.DIAPHRAGM ASSY	1	1	1	1	AP
	5JG-14940-08	.DIAPHRAGM ASSY	1	1	1	1	AP
	5JG-14940-09	.DIAPHRAGM ASSY		1			AP
32	3TJ-14536-40	.GASKET	1	1	1	1	
33	3TJ-14933-40	.SPRING, DIAPHRAGM	1	1	1	1	
34	6H4-14561-00	.O-RING	1	1	1	1	
35	5JG-14171-00	.PLUNGER, STARTER	1	1	1	1	
36	5JG-14371-00	.PLUNGER, STARTER	1	1	1	1	
37	5JG-14379-00	.ROD, STARTER	1	1	1	1	
38	3TJ-14325-40	.SCREW, PAN HEAD	1	1	1	1	

FIG. 10 CARBURETOR



REF. NO.	PART NO.	DESCRIPTION	5NL1	5NL2	5NL3	5NL4	REMARKS
39	5JG-14922-00	.SCREW, THROTTLE	1	1	1	1	
40	90201-08410	.WASHER, PLATE	1	1	1	1	
41	4FN-14934-00	.SPRING, THROTTLE STOP	1	1	1	1	
42	5JG-85885-00	.THROTTLE SENSOR ASSY	1	1	1	1	
43	5BE-14449-00	.COLLAR	1	1	1	1	
44	5BE-14562-00	.O-RING	1	1	1	1	
45	4YR-14557-00	.WASHER	2	2	2	2	
46	4YR-14216-00	.SCREW	2	2	2	2	
47	4MX-14561-00	.O-RING	1	1	1	1	
48	4MX-14115-00	.PLUG, SCREW	1	1	1	1	
49	3TJ-14137-40	.CLIP	5	5	5	5	
50	5BE-14146-00	.PLATE	2	2	2	2	
51	5NL-14196-00	.PIPE COMP.	1	1	1	1	
52	5JG-14197-00	.PIPE	2	2	2	2	
53	5JG-14987-00	.HOSE	1	1	1	1	
54	5JG-14346-00	.PLATE	1	1	1	1	
55	5JG-14565-00	.SCREW	1	1	1	1	
56	5JG-14531-00	.SPRING, ADJUST SCREW	1	1	1	1	
57	5NL-14591-00	.SCREW	1	1	1	1	
58	4JT-1494F-28	.JET (#105)	1	1	1	1	STD
	4JT-1494F-17	.JET (#75)	1	1	1	1	AP
	4JT-1494F-21	.JET (#85)	1	1	1	1	AP
	4JT-1494F-25	.JET (#95)	1	1	1	1	AP
	4JT-1494F-30	.JET (#115)	1	1	1	1	AP
	4JT-1494F-32	.JET (#125)	1	1	1	1	AP
	4JT-1494F-34	.JET (#135)	1	1	1	1	AP

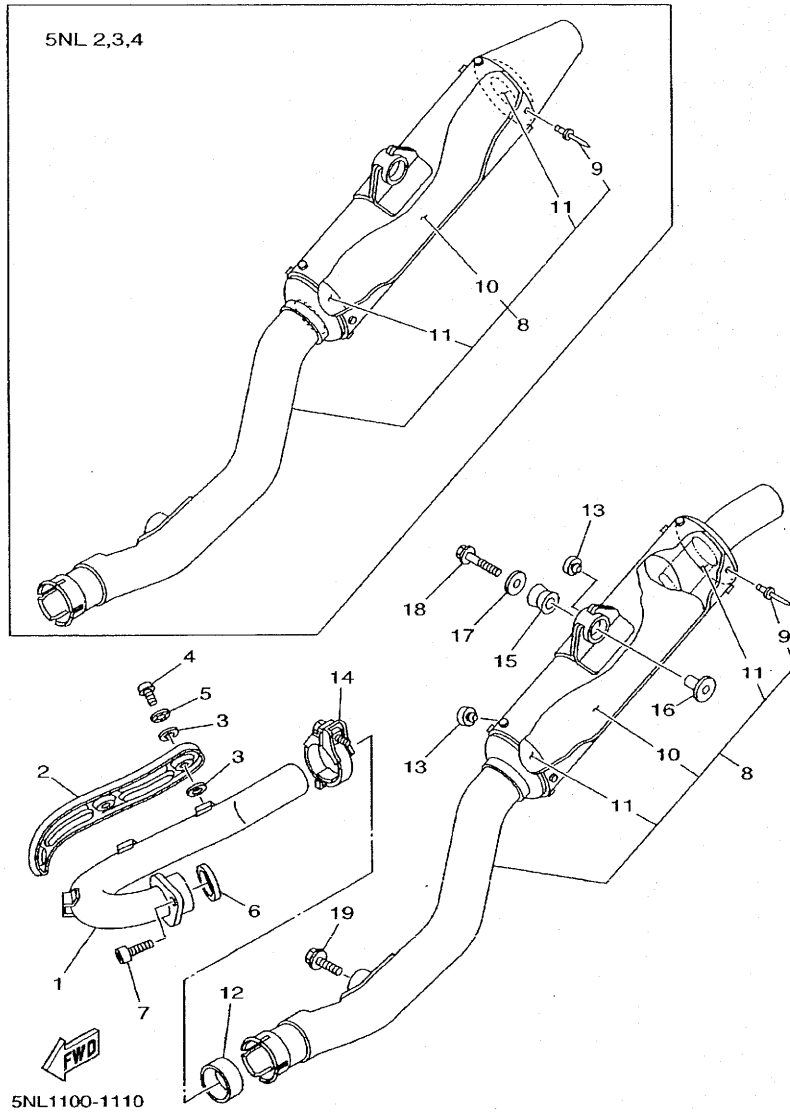
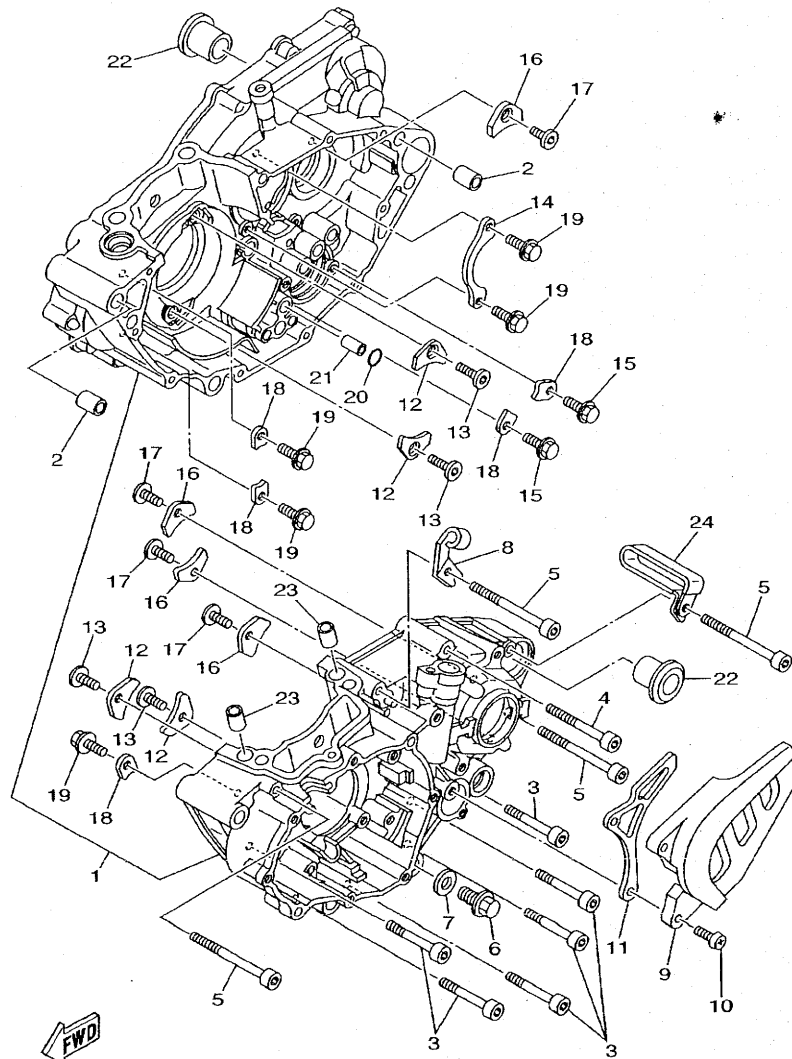


FIG. 11 EXHAUST

REF. NO.	PART NO.	DESCRIPTION	5NL1	5NL2	5NL3	5NL4	REMARKS
1	5NL-14611-00	PIPE, EXHAUST 1	1	1	1	1	
2	5NL-14628-00	PROTECTOR, EXHAUST PIPE	1	1	1	1	
3	4BD-14766-00	WASHER, PROTECTOR	6	6	6	6	
4	98980-06008	SCREW, BIND	3	3	3	3	
5	90206-06090	WASHER, WAVE	3	3	3	3	
6	5NL-14613-00	GASKET, EXHAUST PIPE	1	1	1	1	
7	91317-08020	BOLT	1	1	1	1	
8	5NL-14753-00	SILENCER, EXHAUST	1				
	5NL-14753-10	SILENCER, EXHAUST		1	1	1	
9	90267-48121	.RIVET, BLIND	16	16	16	16	
10	5NL-1469A-00	.FIBER	1	1	1	1	
11	5BE-1469E-00	.FIBER	2	2	2	2	
12	3VD-14755-00	GASKET, SILENCER	1	1	1	1	
13	22W-24181-00	DAMPER, LOCATING 1	2	2	2	2	
14	5NL-14788-00	BAND, SILENCER	1	1	1	1	
15	5BE-14747-00	DAMPER, MUFFLER	1	1	1	1	
16	90387-0814J	COLLAR	1	1	1	1	
17	90201-081R9	WASHER, PLATE	1	1	1	1	
18	95817-08030	BOLT, FLANGE	1	1	1	1	
19	95817-08016	BOLT, FLANGE	1	1	1	1	

FIG. 12 CRANKCASE



5NL1100-1120

REF. NO.	PART NO.	DESCRIPTION	5NL1	5NL2	5NL3	5NL4	REMARKS
			1	1	1	1	
1	5NL-15150-00	CRANKCASE ASSY	1	1	1	1	
2	93612-16254	PIN, DOWEL	2	2	2	2	
3	91317-06045	BOLT	6	6	6	6	
4	91317-06055	BOLT	1	1	1	1	
5	91317-06070	BOLT	4	4	4	4	
6	95027-10016	BOLT, FLANGE	1	1	1	1	
7	90430-10188	GASKET	1	1	1	1	
8	5NL-15441-01	HOLDER, CLUTCH CABLE	1	1	1	1	
9	5BE-15421-00	COVER, CRANKCASE 2	1	1	1	1	
10	98507-06025	SCREW, PAN HEAD	2	2	2	2	
11	5NL-17466-00	GUIDE, CHAIN	1	1	1	1	
12	5BE-15383-01	PLATE, BEARING COVER	4	4	4	4	
13	90149-06126	SCREW	4	4	4	4	
14	5NL-15388-00	PLATE, BEARING COVER	1	1	1	1	
15	90105-06553	BOLT, WASHER BASED	2	2	2	2	
16	4JT-15381-01	PLATE, BEARING COVER	4	4	4	4	
17	90149-06326	SCREW	4	4	4	4	
18	5DH-18562-00	PLATE, STOPPER 2	5	5	5	5	
19	90105-06553	BOLT, WASHER BASED	5	5	5	5	
20	93210-10197	O-RING	1	1	1	1	
21	99530-10114	PIN, DOWEL	1	1	1	1	
22	90387-1712Y	COLLAR	2	2	2	2	
23	99530-10116	PIN, DOWEL	2	2	2	2	
24	90465-10013	CLAMP	1	1	1	1	

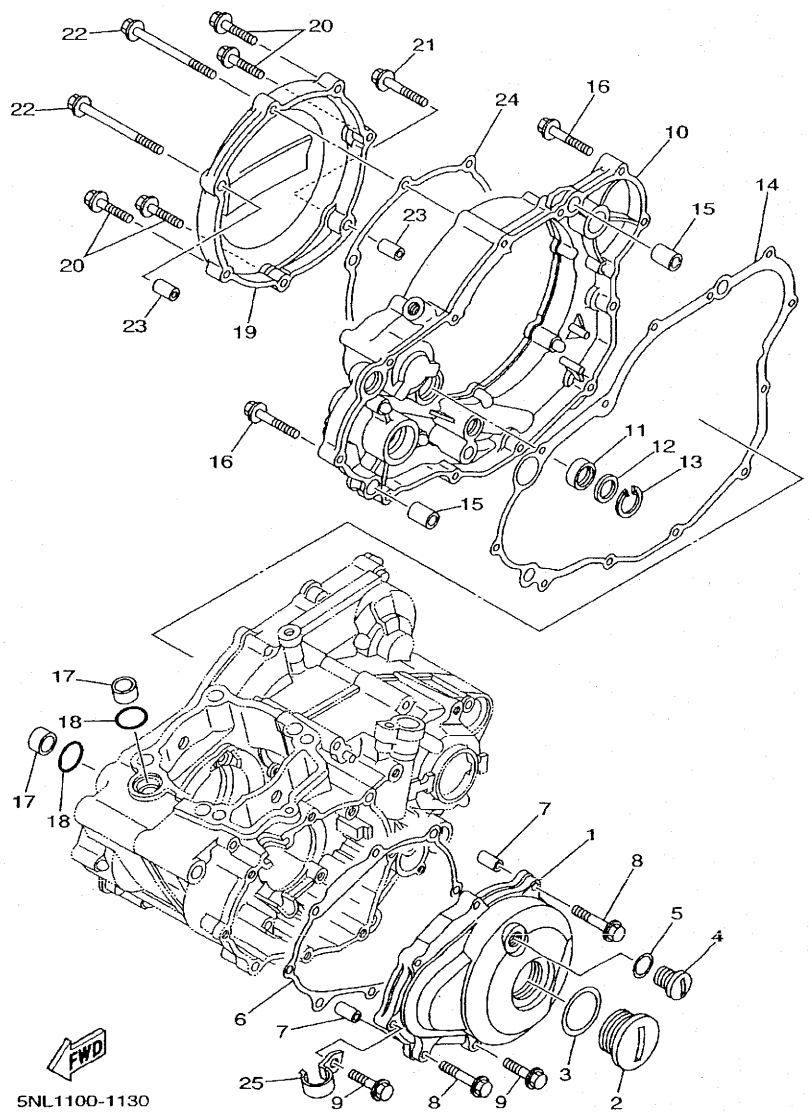
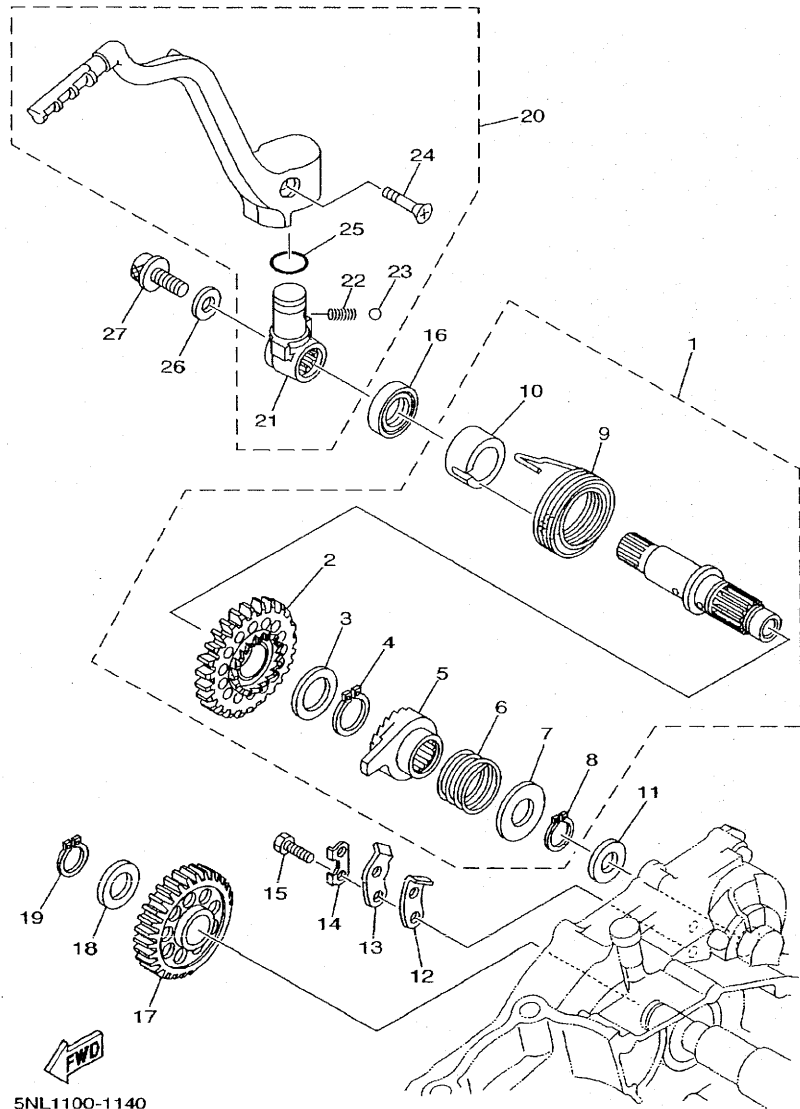


FIG. 13 CRANKCASE COVER 1

REF. NO.	PART NO.	DESCRIPTION	5NL1	5NL2	5NL3	5NL4	REMARKS
1	5NL-15411-00	COVER, CRANKCASE 1	1	1	1	1	
2	90340-32123	PLUG, STRAIGHT SCREW	1	1	1	1	
3	93210-32172	O-RING	1	1	1	1	
4	90340-14128	PLUG, STRAIGHT SCREW	1	1	1	1	
5	93210-14369	O-RING	1	1	1	1	
6	5NL-15451-00	GASKET, CRANKCASE COVER 1	1	1	1	1	
7	99530-08016	PIN, DOWEL	2	2	2	2	
8	95027-06035	BOLT, FLANGE	2	2	2	2	
9	95027-06025	BOLT, FLANGE	6	6	6	6	
10	5NL-15431-00	COVER, CRANKCASE 3	1	1	1	1	
11	93101-14164	OIL SEAL	1	1	1	1	
12	90201-15701	WASHER, PLATE (1.0T)	1	1	1	1	
13	99009-22500	CIRCLIP	1	1	1	1	
14	5NL-15462-00	GASKET, CRANKCASE COVER 3	1	1	1	1	
15	91812-16001	PIN, DOWEL	2	2	2	2	
16	95027-06035	BOLT, FLANGE	8	8	8	8	
17	5NL-12564-00	PIPE, WATER	2	2	2	2	
18	93210-16716	O-RING	2	2	2	2	
19	5NL-15415-00	COVER 1	1	1	1	1	
20	95027-06025	BOLT, FLANGE	4	4	4	4	
21	95027-06035	BOLT, FLANGE	1	1	1	1	
22	90105-065A1	BOLT, WASHER BASED	2	2	2	2	
23	99530-08016	PIN, DOWEL	2	2	2	2	
24	5NL-15453-00	GASKET 1	1	1	1	1	
25	90465-08029	CLAMP	1	1	1	1	

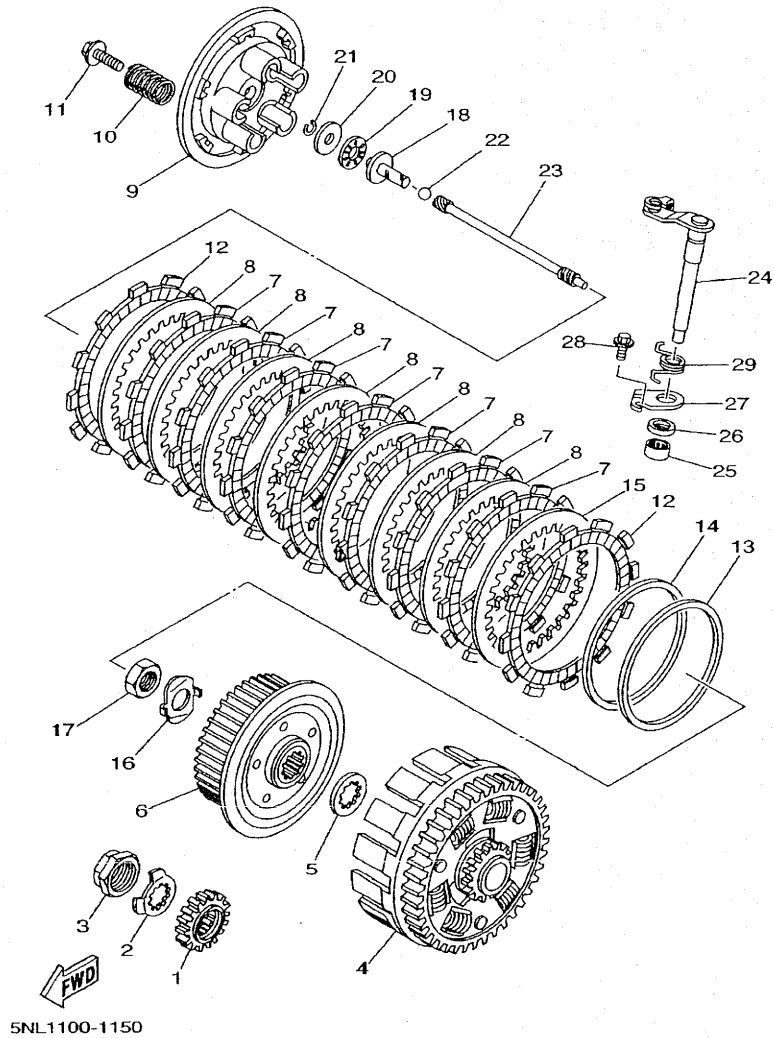
FIG. 14 STARTER



5NL1100-1140

REF. NO.	PART NO.	DESCRIPTION	5NL1	5NL2	5NL3	5NL4	REMARKS
1	5NL-15601-00	KICK SHAFT ASSY	1	1	1	1	
2	5NL-15641-00	.GEAR, KICK	1	1	1	1	
3	90201-20685	.WASHER, PLATE (0.5T)	1	1	1	1	
4	93410-20038	.CIRCLIP	1	1	1	1	
5	4GY-15671-00	.WHEEL, RATCHET	1	1	1	1	
6	90501-16107	.SPRING, COMPRESSION	1	1	1	1	
7	90201-167P7	.WASHER, PLATE	1	1	1	1	
8	99009-16400	.CIRCLIP	1	1	1	1	
9	90508-30743	.SPRING, TORSION	1	1	1	1	
10	5NL-15664-00	.GUIDE, SPRING	1	1	1	1	
11	90201-162H4	WASHER, PLATE	1	1	1	1	
12	2NX-15668-00	STOPPER	1	1	1	1	
13	214-15674-00	GUIDE, RATCHET WHEEL	1	1	1	1	
14	214-15686-00	WASHER, LOCK	1	1	1	1	
15	90101-06001	BOLT	2	2	2	2	
16	93102-18278	OIL SEAL	1	1	1	1	
17	5NL-15651-00	GEAR, KICK IDLE	1	1	1	1	
18	90201-177G4	WASHER, PLATE	1	1	1	1	
19	99009-17400	CIRCLIP	1	1	1	1	
20	5NL-15620-00	KICK CRANK ASSY	1	1	1	1	
21	5NL-15621-00	.BOSS, KICK CRANK	1	1	1	1	
22	90501-12081	.SPRING, COMPRESSION	1	1	1	1	
23	93507-32009	.BALL	1	1	1	1	
24	90152-06010	.SCREW, COUNTERSUNK	1	1	1	1	
25	93210-17570	.O-RING	1	1	1	1	
26	90201-08326	WASHER, PLATE	1	1	1	1	
27	90109-082G0	BOLT	1	1	1	1	

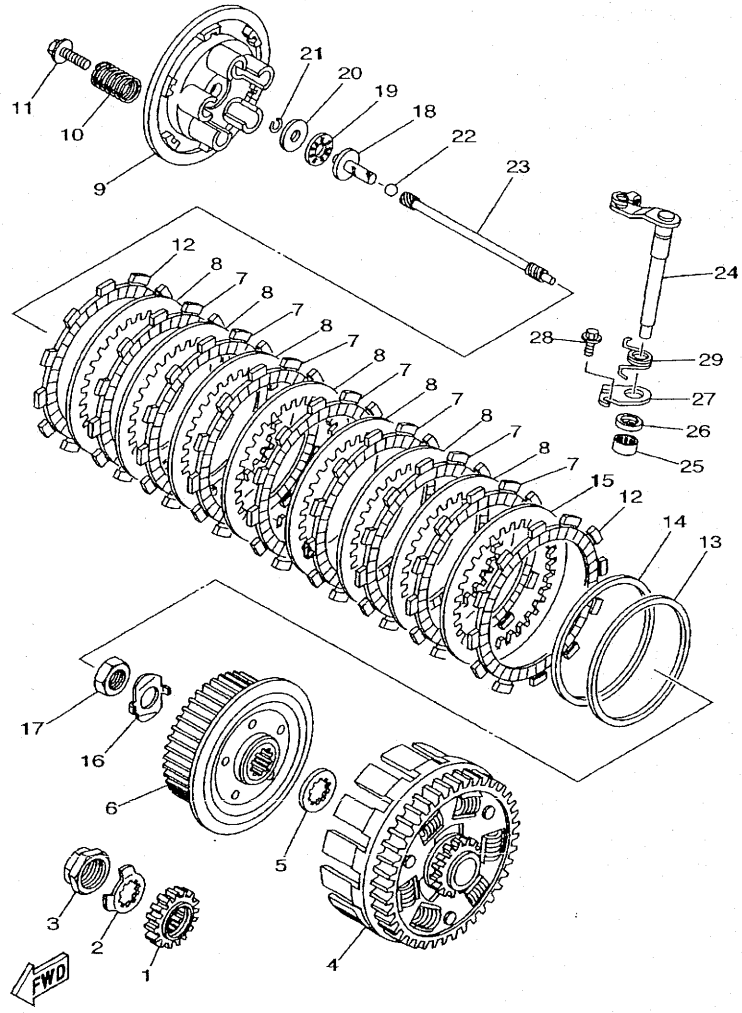
FIG. 15 CLUTCH



5NL1100-1150

REF. NO.	PART NO.	DESCRIPTION	5NL1	5NL2	5NL3	5NL4	REMARKS
1	5NL-16111-00	GEAR, PRIMARY DRIVE	1	1	1	1	
2	90215-20003	WASHER, LOCK	1	1	1	1	
3	90179-18001	NUT	1	1	1	1	
4	5NL-16150-00	PRIMARY DRIVEN GEAR COMP.	1	1	1	1	
5	5NL-16154-00	PLATE, THRUST 1	1	1	1	1	
6	5NL-16371-00	BOSS, CLUTCH	1	1	1	1	
7	5DH-16321-00	PLATE, FRICTION	7	7	7	7	
8	5NL-16325-00	PLATE, CLUTCH 2	7	7	7	7	
9	5HD-16351-00	PLATE, PRESSURE 1	1	1	1	1	
10	90501-224J9	SPRING, COMPRESSION	5	5	5	5	
11	90159-06092	SCREW, WITH WASHER	5	5	5	5	
12	3XJ-16321-00	PLATE, FRICTION	2	2	2	2	
13	3XV-16384-10	PLATE, SEAT	1	1	1	1	
14	5NL-16383-00	SPRING, CLUTCH BOSS	1	1	1	1	
15	5NL-16325-10	PLATE, CLUTCH 2	1	1	1	1	
16	90215-16289	WASHER, LOCK	1	1	1	1	
17	90170-16326	NUT	1	1	1	1	
18	5NL-16356-00	ROD, PUSH 1	1	1	1	1	
19	93340-21008	BEARING	1	1	1	1	
20	90201-080H1	WASHER, PLATE	1	1	1	1	
21	93440-07182	CIRCLIP	1	1	1	1	
22	93511-32027	BALL	1	1	1	1	
23	5NL-16357-00	ROD, PUSH 2	1	1	1	1	
24	5JG-16381-00	PUSH LEVER COMP.	1	1	1	1	
25	93315-11206	BEARING	1	1	1	1	
26	93102-12224	OIL SEAL	1	1	1	1	
27	4JT-16384-00	PLATE, SEAT	1	1	1	1	

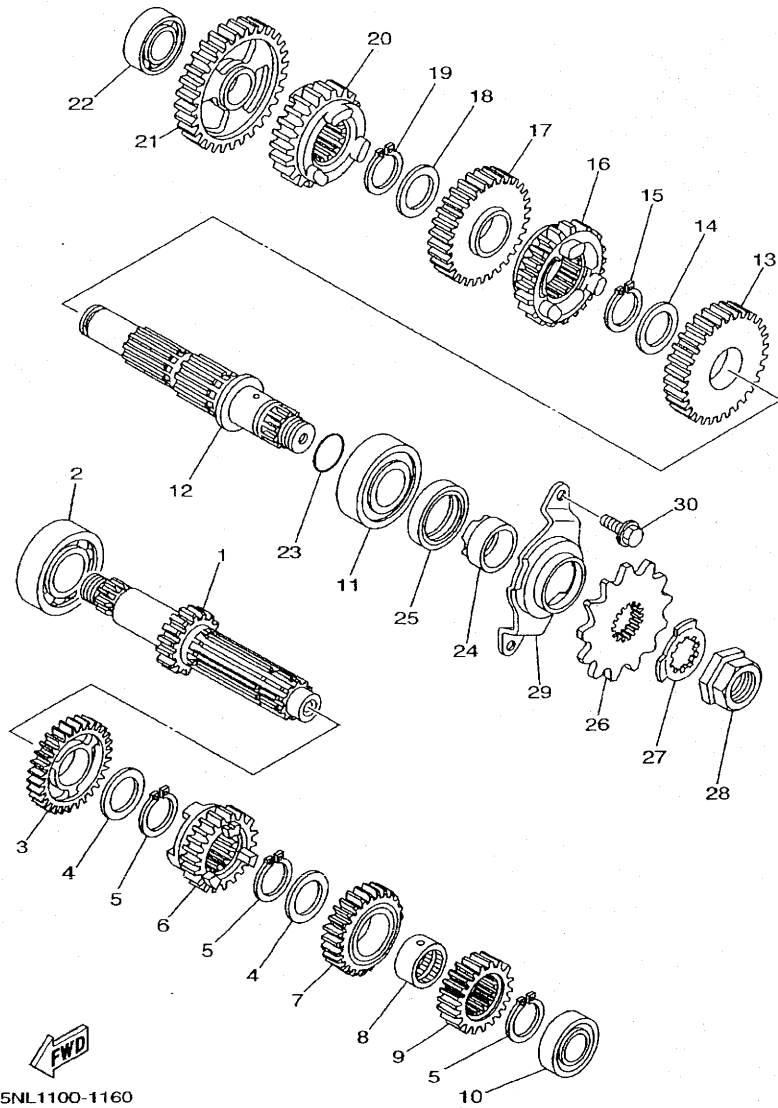
FIG. 15 CLUTCH



5NL1100-1150

REF. NO.	PART NO.	DESCRIPTION	5NL1	5NL2	5NL3	5NL4	REMARKS
			1	1	1	1	
28	95027-06010	BOLT, FLANGE	1	1	1	1	
29	90508-142B5	SPRING, TORSION	1	1	1	1	

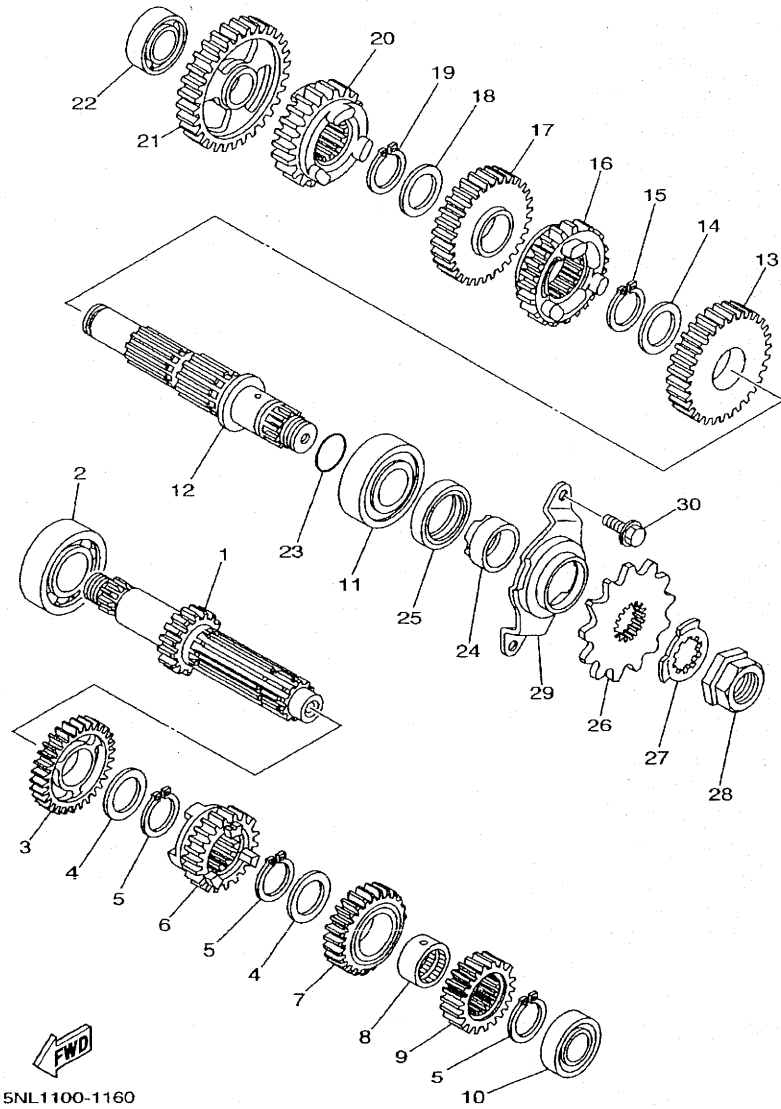
FIG. 16 TRANSMISSION



5NL1100-1160

REF. NO.	PART NO.	DESCRIPTION	5NL1	5NL2	5NL3	5NL4	REMARKS
1	5NL-17411-00	AXLE, MAIN (14T)	1	1	1	1	
2	93306-20447	BEARING	1	1	1	1	
3	5NL-17151-00	GEAR, 5TH PINION (24T)	1	1	1	1	
4	90209-20008	WASHER	2	2	2	2	
5	93410-22039	CIRCLIP	3	3	3	3	
6	5NL-17131-00	GEAR, 3RD PINION (20T)	1	1	1	1	
7	5NL-17141-00	GEAR, 4TH PINION (22T)	1	1	1	1	
8	90387-20006	COLLAR	1	1	1	1	
9	5NL-17121-00	GEAR, 2ND PINION (16T)	1	1	1	1	
10	93306-00320	BEARING	1	1	1	1	
11	93306-27208	BEARING	1	1	1	1	
12	5NL-17421-00	AXLE, DRIVE	1	1	1	1	
13	5NL-17221-00	GEAR, 2ND WHEEL (28T)	1	1	1	1	
14	90209-23012	WASHER	1	1	1	1	
15	93410-26067	CIRCLIP	1	1	1	1	
16	5NL-17241-00	GEAR, 4TH WHEEL (27T)	1	1	1	1	
17	5NL-17231-00	GEAR, 3RD WHEEL (29T)	1	1	1	1	
18	90209-20008	WASHER	1	1	1	1	
19	93410-22039	CIRCLIP	1	1	1	1	
20	5NL-17251-00	GEAR, 5TH WHEEL (25T)	1	1	1	1	
21	5NL-17211-00	GEAR, 1ST WHEEL (30T)	1	1	1	1	
22	93306-00317	BEARING	1	1	1	1	
23	93210-196A4	O-RING	1	1	1	1	
24	90387-22001	COLLAR	1	1	1	1	
25	93102-28008	OIL SEAL	1	1	1	1	
26	9383B-13218	SPROCKET, DRIVE (13T)	1	1	1	1	
27	90215-20003	WASHER, LOCK	1	1	1	1	

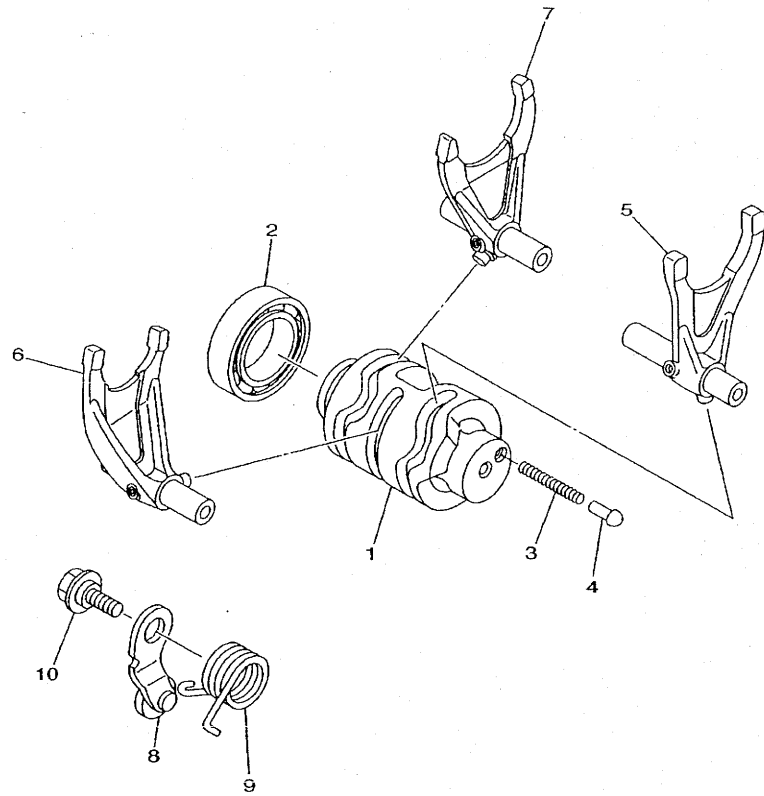
FIG. 16 TRANSMISSION



5NL1100-1160

REF. NO.	PART NO.	DESCRIPTION	5NL1	5NL2	5NL3	5NL4	REMARKS
28	90179-18001	NUT	1	1	1	1	
29	5NL-17471-00	PLATE, COVER	1	1	1	1	
30	90105-06553	BOLT, WASHER BASED	2	2	2	2	

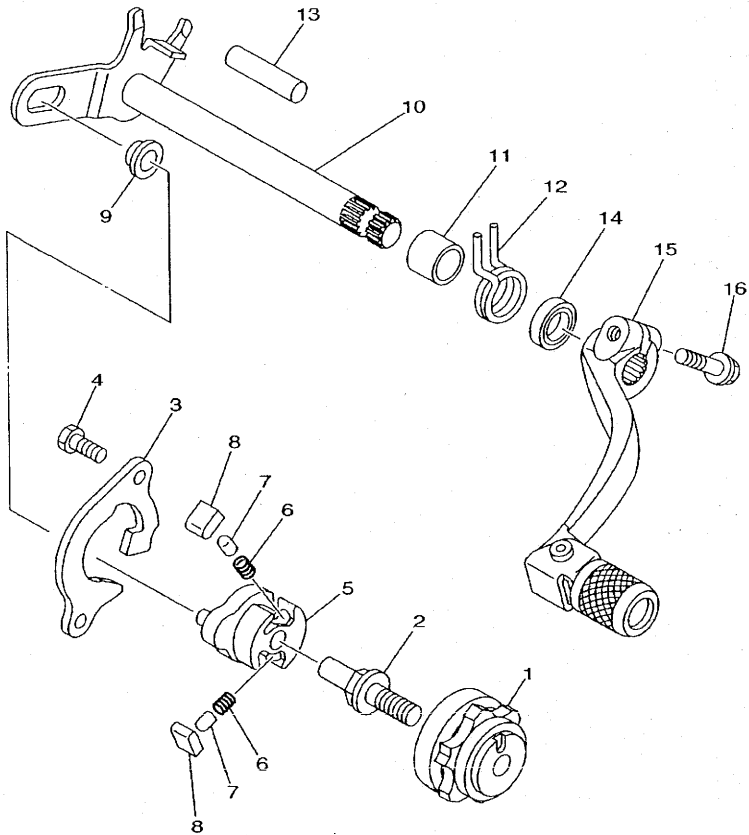
FIG. 17 SHIFT CAM. FORK



REF. NO.	PART NO.	DESCRIPTION	5NL1	5NL2	5NL3	5NL4	REMARKS
1	5NL-18541-00	CAM, SHIFT	1	1	1	1	
2	93306-90501	BEARING	1	1	1	1	
3	90501-06022	SPRING, COMPRESSION	1	1	1	1	
4	4BA-18542-00	POINT, NEUTRAL	1	1	1	1	
5	5NL-18501-00	FORK, SHIFT 1	1	1	1	1	
6	5NL-18502-00	FORK, SHIFT 2	1	1	1	1	
7	5NL-18503-00	FORK, SHIFT 3	1	1	1	1	
8	3XK-18140-00	STOPPER LEVER ASSY	1	1	1	1	
9	90508-26561	SPRING, TORSION	1	1	1	1	
10	90109-063F8	BOLT	1	1	1	1	


5NL1100-1170

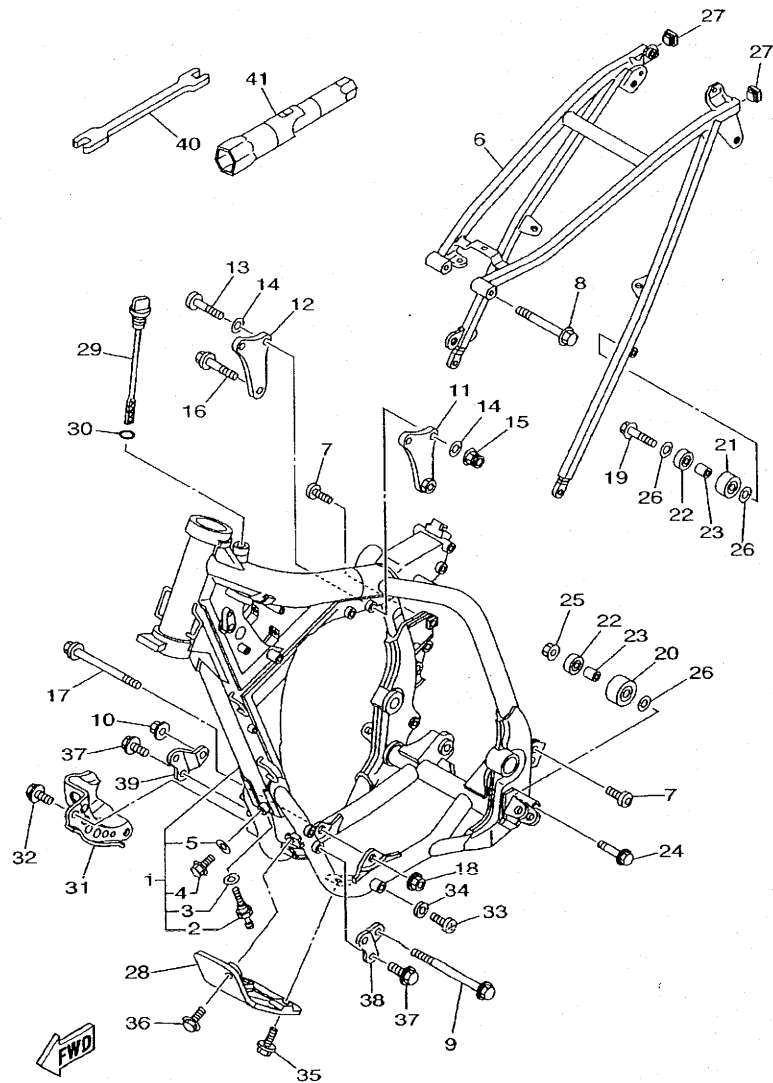
FIG. 18 SHIFT SHAFT



REF. NO.	PART NO.	DESCRIPTION	5NL1	5NL2	5NL3	5NL4	REMARKS
1	4EW-18185-00	SEGMENT	1	1	1	1	
2	3XJ-18173-00	PIN, SHIFT	1	1	1	1	
3	5BE-18172-00	GUIDE, SHIFT	1	1	1	1	
4	90101-06664	BOLT	2	2	2	2	
5	5LP-18122-00	LEVER, SHIFT 2	1	1	1	1	
6	90501-052G5	SPRING, COMPRESSION	2	2	2	2	
7	3XJ-18184-00	PIN, PAWL	2	2	2	2	
8	3XJ-18182-00	PAWL, SHIFTER	2	2	2	2	
9	3XJ-18178-00	ROLLER, SHIFT LEVER	1	1	1	1	
10	5NL-18101-00	SHIFT SHAFT ASSY	1	1	1	1	
11	90387-124F4	COLLAR	1	1	1	1	
12	90508-291A8	SPRING, TORSION	1	1	1	1	
13	93608-33002	PIN, DOWEL	1	1	1	1	
14	93102-12224	OIL SEAL	1	1	1	1	
15	5NL-18110-00	SHIFT PEDAL ASSY	1	1	1	1	
16	95027-06020	BOLT, FLANGE	1	1	1	1	



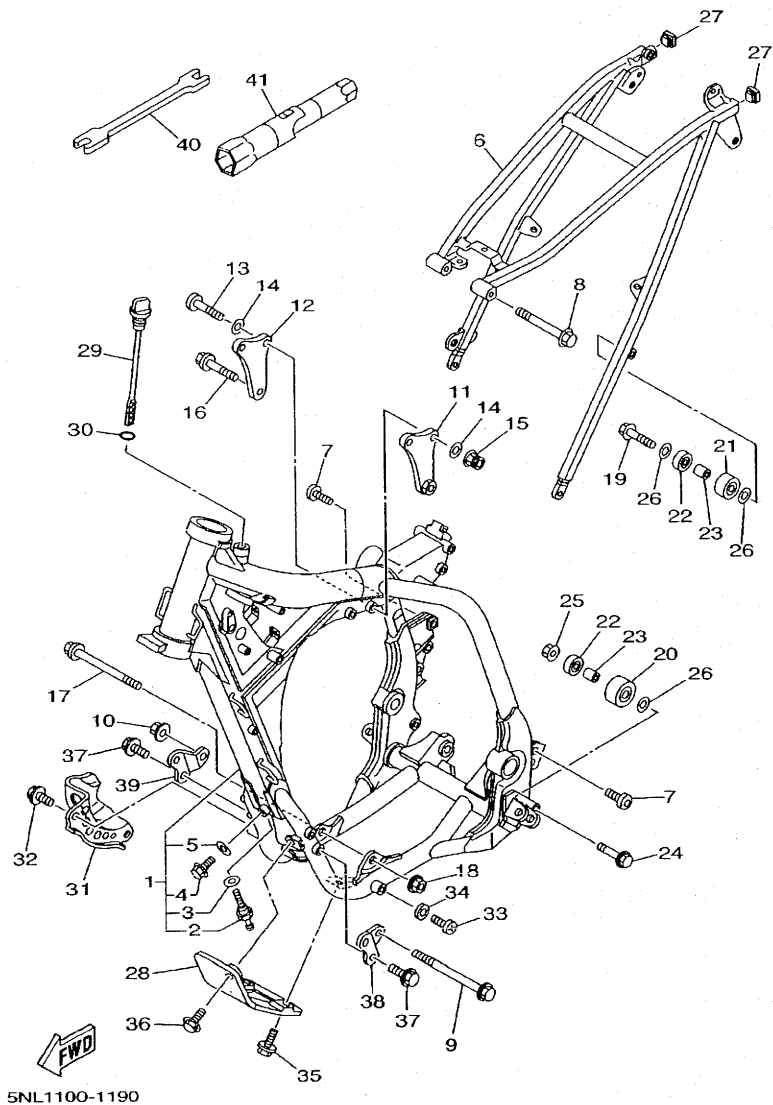
5NL1100-1180



SNL1100-1190

FIG. 19 FRAME

REF. NO.	PART NO.	DESCRIPTION	5NL1	5NL2	5NL3	5NL4	REMARKS
1	5NL-21101-00-P0	FRONT FRAME COMP.	1	1	1	1	DPBMC
2	5BE-21756-00	.NET, FILTER	1	1	1	1	
3	90430-18130	.GASKET	1	1	1	1	
4	95827-08012	.BOLT, FLANGE	1	1	1	1	
5	90430-08119	.GASKET	1	1	1	1	
6	5JG-21190-50-P0	REAR FRAME COMP.	1	1	1	1	DPBMC
7	90110-08096	BOLT, HEXAGON SOCKET HEAD	2	2	2	2	
8	90105-08099	BOLT, WASHER BASED	1	1	1	1	
9	95817-10130	BOLT, FLANGE	1	1	1	1	
10	95607-10200	NUT, SELF-LOCKING	1	1	1	1	
11	5NL-21425-00	BRACKET, REAR UPPER 1	1	1	1	1	
12	5NL-21425-10	BRACKET, REAR UPPER 1	1	1	1	1	
13	92017-08055	BOLT, BUTTON HEAD	2	2	2	2	
14	90201-086P8	WASHER, PLATE	4	4	4	4	
15	90185-08169	NUT, SELF-LOCKING	2	2	2	2	
16	95817-10050	BOLT, FLANGE	1	1	1	1	
17	90105-10733	BOLT, WASHER BASED	1	1	1	1	
18	95607-10200	NUT, SELF-LOCKING	1	1	1	1	
19	95027-08040	BOLT, FLANGE	1	1	1	1	
20	3JD-22178-10	TENSIONER	1	1	1	1	
21	4EW-22178-00	TENSIONER	1	1	1	1	
22	93300-60804	BEARING	2	2	2	2	
23	90387-086N4	COLLAR	2	2	2	2	
24	95027-08065	BOLT, FLANGE	1	1	1	1	
25	95707-08500	NUT, FLANGE	1	1	1	1	
26	90201-086P8	WASHER, PLATE	3	3	3	3	
27	90338-16148	PLUG	2	2	2	2	

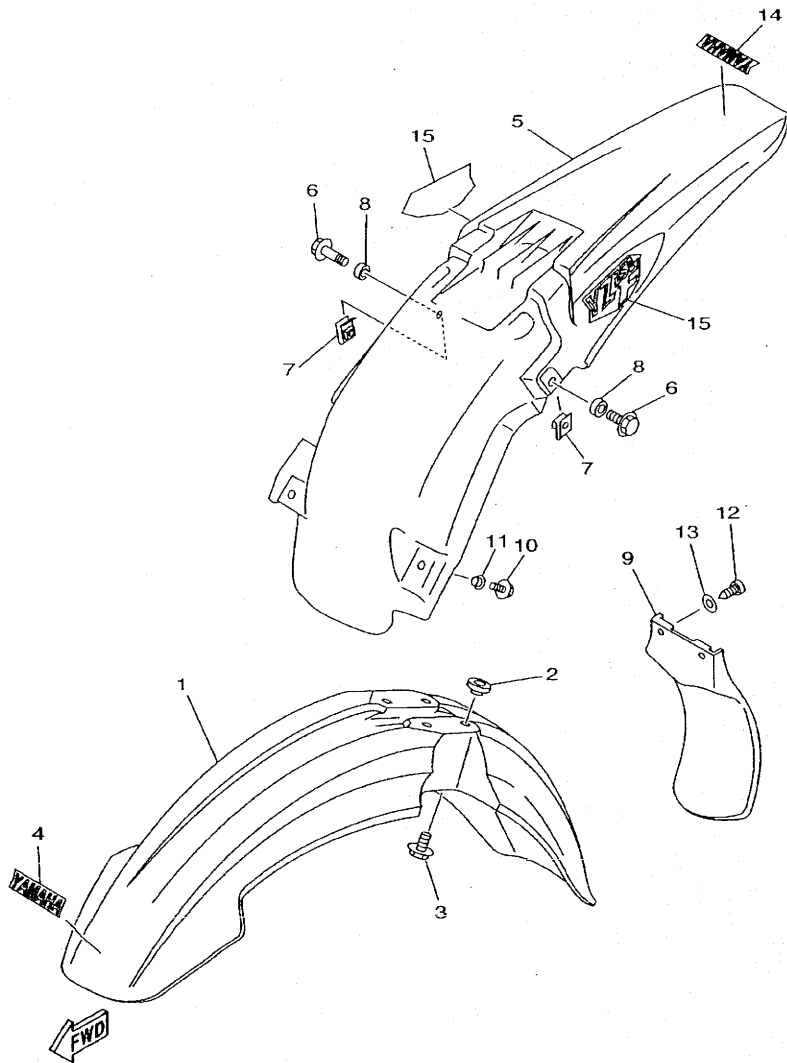


5NL1100-1190

FIG. 19 FRAME

REF. NO.	PART NO.	DESCRIPTION	5NL1	5NL2	5NL3	5NL4	REMARKS
28	5NL-21471-00	PROTECTOR, ENGINE	1	1	1	1	
29	5NL-15362-00	PLUG, OIL LEVEL	1	1	1	1	
30	93210-19123	O-RING	1	1	1	1	
31	5NL-2147A-00	GUARD, ENGINE 1	1	1	1	1	
32	95027-08012	BOLT, FLANGE	2	2	2	2	
33	90157-08028	SCREW, PAN HEAD	1	1	1	1	
34	90202-08204	WASHER, PLATE	1	1	1	1	
35	95027-06012	BOLT, FLANGE	2	2	2	2	
36	90119-06001	BOLT, WITH WASHER	1	1	1	1	
37	95817-08016	BOLT, FLANGE	4	4	4	4	
38	5NL-21417-00	BRACKET, FRONT LOWER 1	1	1	1	1	
39	5NL-21417-10	BRACKET, FRONT LOWER 1	1	1	1	1	
40	5ET-28166-00	WRENCH, HEXAGON	1	1	1	1	
41	5BE-2814F-00	BOX, SPARK PLUG	1	1	1	1	

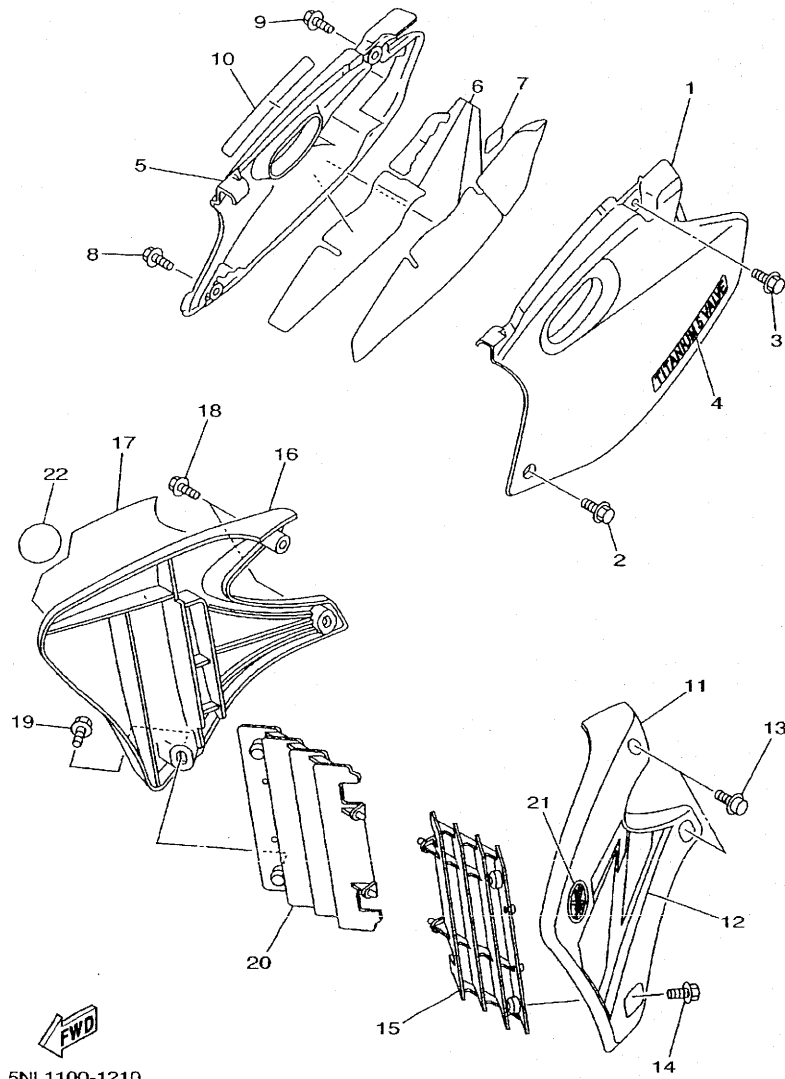
FIG. 20 FENDER



5NL1100-1200

REF. NO.	PART NO.	DESCRIPTION	5NL1	5NL2	5NL3	5NL4	REMARKS
1	5HD-21511-00	FENDER, FRONT	1	1	1	1	
2	3JD-21748-00	COLLAR	4	4	4	4	
3	90119-06096	BOLT, WITH WASHER	4	4	4	4	
4	4ES-2153E-01	EMBLEM, YAMAHA	1	1	1	1	
5	5BE-21611-10	FENDER, REAR	1	1	1	1	
6	90105-06553	BOLT, WASHER BASED	2	2	2	2	
7	90183-06023	NUT, SPRING	2	2	2	2	
8	90387-0701A	COLLAR	2	2	2	2	
9	5BE-21642-00	GUARD, FLAP	1	1	1	1	
10	90105-06690	BOLT, WASHER BASED	2	2	2	2	
11	90387-06009	COLLAR	2	2	2	2	
12	97707-60016	SCREW, TAPPING	2	2	2	2	
13	90201-06557	WASHER, PLATE	2	2	2	2	
14	4ES-2153E-01	EMBLEM, YAMAHA	1	1	1	1	EXCEPT FOR CAN
15	5NL-2163G-00	EMBLEM 1	2	2	2	2	

FIG. 21 SIDE COVER



REF. NO.	PART NO.	DESCRIPTION	5NL1	5NL2	5NL3	5NL4	REMARKS
1	5BE-21711-00	COVER, SIDE 1	1	1	1	1	
2	95827-06016	BOLT, FLANGE	1	1	1	1	
3	90119-08238	BOLT, WITH WASHER	1	1	1	1	
4	5JG-21781-50	EMBLEM 1	1	1	1	1	
5	5BE-21721-00	COVER, SIDE 2	1	1	1	1	
6	5BE-2174A-00	INSULATOR, SIDE COVER	1	1	1	1	
7	3FY-21575-01	SEAL 1	1	1	1	1	
8	95827-06016	BOLT, FLANGE	1	1	1	1	
9	90119-08238	BOLT, WITH WASHER	1	1	1	1	
10	5JG-21781-50	EMBLEM 1	1	1	1	1	
11	5NL-21731-00	COVER, SIDE 3	1	1	1	1	
12	5JG-2173E-50	GRAPHIC 1	1	1	1	1	
13	90159-06182	SCREW, WITH WASHER	2	2	2	2	
14	90159-06078	SCREW, WITH WASHER	1	1	1	1	
15	5NL-2172A-00	PANEL 1	1	1	1	1	
16	5NL-21741-00	COVER, SIDE 4	1	1	1	1	
17	5JG-2173F-50	GRAPHIC 2	1	1	1	1	
18	90159-06182	SCREW, WITH WASHER	2	2	2	2	
19	90159-06078	SCREW, WITH WASHER	1	1	1	1	
20	5NL-2172A-00	PANEL 1	1	1	1	1	
21	5MV-2175C-00	TUNING FORK MARK	1	1	1	1	
22	5MV-2175C-00	TUNING FORK MARK	1	1	1	1	

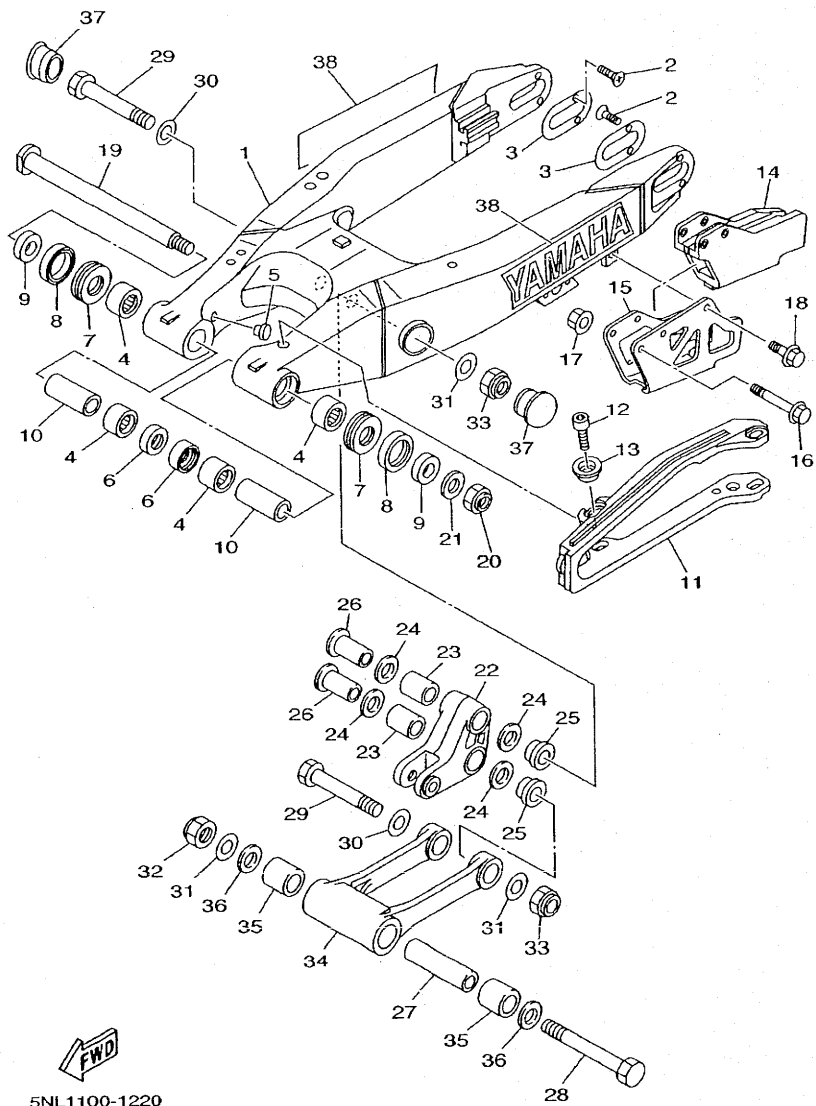
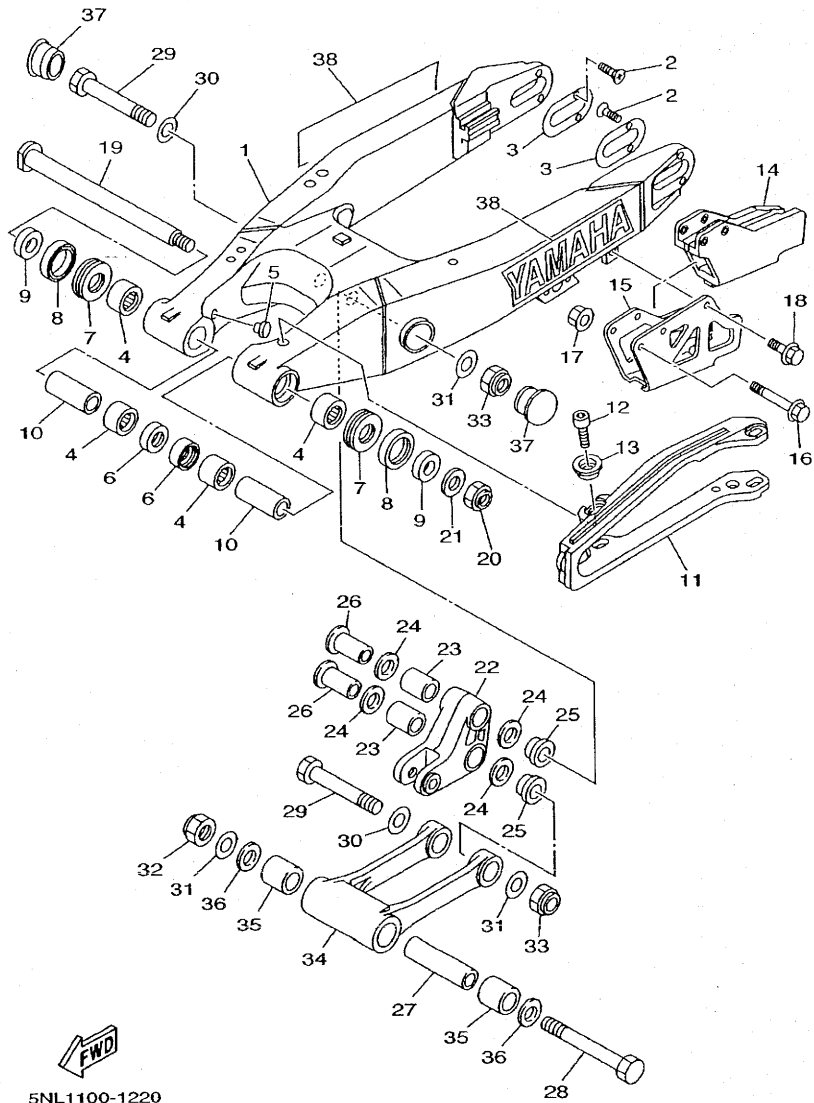


FIG. 22 REAR ARM

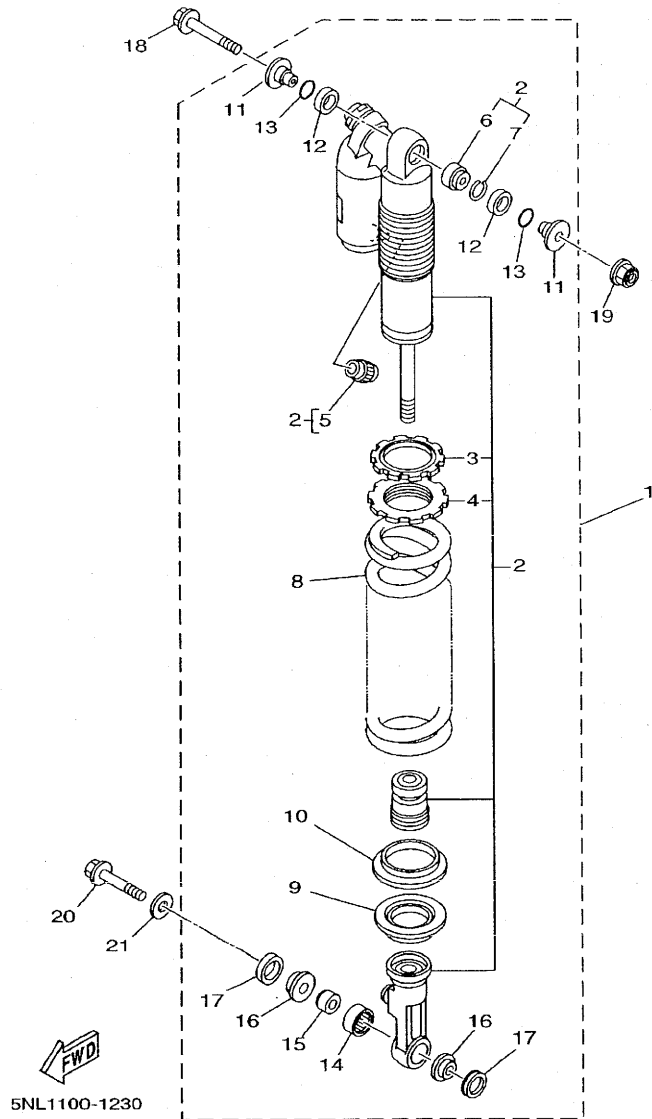
REF. NO.	PART NO.	DESCRIPTION	5NL1	5NL2	5NL3	5NL4	REMARKS
1	5MV-22110-00	REAR ARM COMP.	1	1	1	1	
2	90151-04048	SCREW, COUNTERSUNK	4	4	4	4	
3	5ET-22355-00	PATCH	2	2	2	2	
4	93317-22262	BEARING	4	4	4	4	
5	90338-16148	PLUG	2	2	2	2	
6	93106-22019	OIL SEAL (DC 22-28-8)	2	2	2	2	
7	93342-22217	BEARING	2	2	2	2	
8	93109-28043	OIL SEAL	2	2	2	2	
9	90387-1714R	COLLAR	2	2	2	2	
10	90387-1714S	COLLAR	2	2	2	2	
11	5MV-22151-00	SEAL, GUARD	1	1	1	1	
12	91317-05008	BOLT	4	4	4	4	
13	5JG-22156-00	WASHER, PLATE	4	4	4	4	
14	4XM-22199-00	SUPPORT, CHAIN	1	1	1	1	
15	4XM-22128-00	COVER, THRUST 1	1	1	1	1	
16	95027-06050	BOLT, FLANGE	2	2	2	2	
17	90179-06568	NUT	2	2	2	2	
18	95027-06010	BOLT, FLANGE	1	1	1	1	
19	5DH-22141-00	SHAFT, PIVOT	1	1	1	1	
20	90185-16127	NUT, SELF-LOCKING	1	1	1	1	
21	90201-164H4	WASHER, PLATE	1	1	1	1	
22	5ET-2217A-00	ARM, RELAY	1	1	1	1	
23	93315-32056	BEARING	2	2	2	2	
24	93109-20076	OIL SEAL	4	4	4	4	
25	90387-16005	COLLAR	2	2	2	2	
26	90387-16007	COLLAR	2	2	2	2	
27	90387-167Y9	COLLAR	1	1	1	1	

FIG. 22 REAR ARM



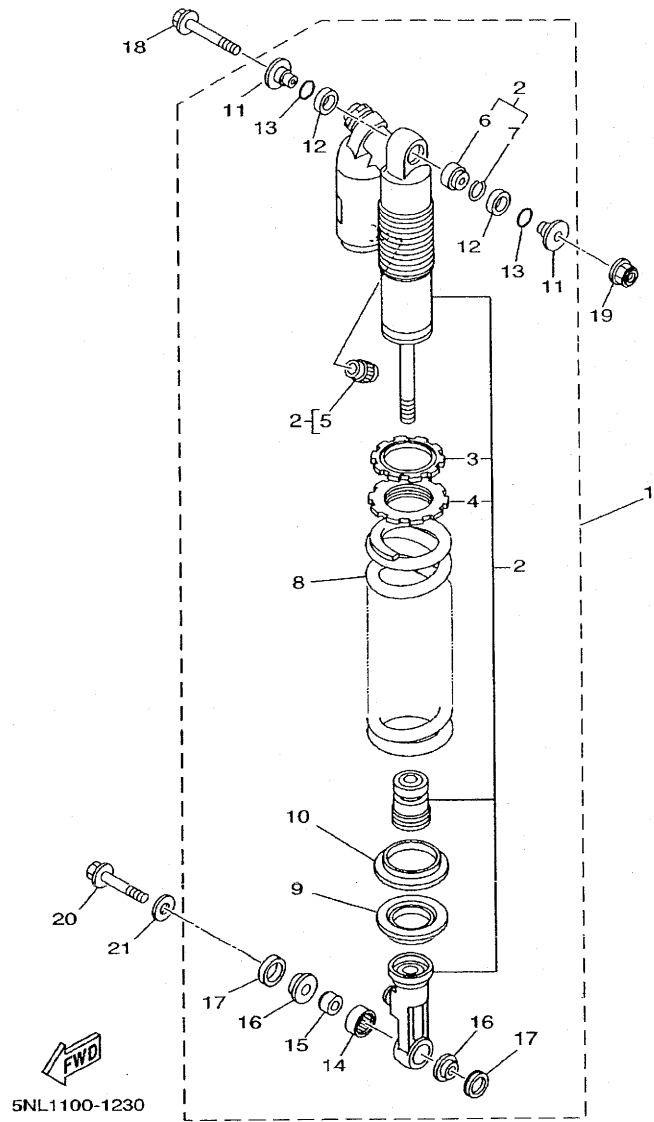
REF. NO.	PART NO.	DESCRIPTION	5NL1	5NL2	5NL3	5NL4	REMARKS
28	90109-147F2	BOLT	1	1	1	1	
29	90109-142F4	BOLT	2	2	2	2	
30	90201-164H4	WASHER, PLATE	2	2	2	2	
31	90201-14740	WASHER, PLATE	3	3	3	3	
32	90185-14112	NUT, SELF-LOCKING	1	1	1	1	
33	95617-14100	NUT, U	2	2	2	2	
34	5DH-2217F-01	ROD, CONNECTING 1	1	1	1	1	
35	93315-32056	BEARING	2	2	2	2	
36	93109-20076	OIL SEAL	2	2	2	2	
37	5HD-2135F-00	COVER	2	2	2	2	
38	99244-00200	EMBLEM, YAMAHA	2	2	2	2	

FIG. 23 REAR SUSPENSION



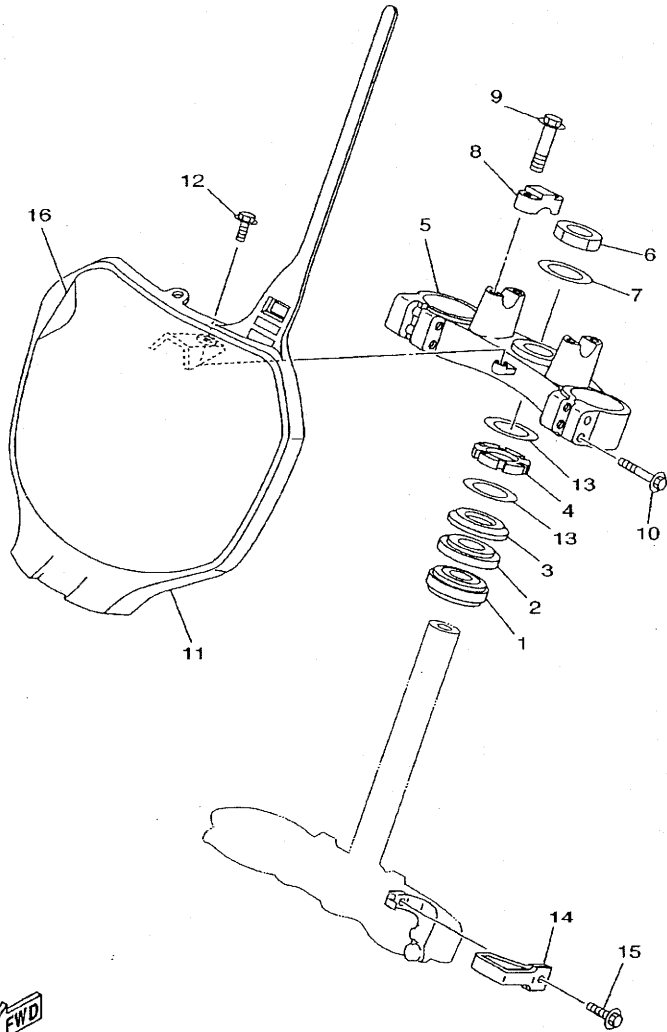
REF. NO.	PART NO.	DESCRIPTION	5NL1	5NL2	5NL3	5NL4	REMARKS
1	5NL-22210-00	SHOCK ABSORBER ASSY, REAR	1				
	5NL-22210-10	SHOCK ABSORBER ASSY, REAR		1			
	5NL-22210-20	SHOCK ABSORBER ASSY, REAR			1		
	5NL-22210-30	SHOCK ABSORBER ASSY, REAR				1	UR FOR CAN
	5NL-22210-40	SHOCK ABSORBER ASSY, REAR				1	UR
2	5NL-22201-00	.DAMPER SUB ASSY	1				
	5NL-22201-10	.DAMPER SUB ASSY		1			
	5NL-22201-20	.DAMPER SUB ASSY			1		
	5NL-22201-30	.DAMPER SUB ASSY				1	UR FOR CAN
	5NL-22201-40	.DAMPER SUB ASSY				1	UR
3	3SP-22234-00	.GUIDE, SPRING 3	1	1	1	1	
4	3SP-22213-00	.SEAT, SPRING UPPER	1	1	1	1	
5	509-23184-L0	.CAP, AIR VALVE	1	1	1	1	
6	4JX-22226-00	.BUSH, SHOCK ABSORBER LOWER	1	1	1	1	
7	5DH-23183-00	.CIRCLIP	1	1	1	1	
8	5DH-22212-20	.SPRING (K=4.8)	1		1	1	
	5ET-22212-10	.SPRING (K=APPROX.5.0)			1		
9	5DH-22214-00	.GUIDE, SPRING 1	1	1	1	1	
10	5MV-22224-00	.GUIDE, SPRING 2	1	1	1	1	
11	5DH-22253-00	.COLLAR, DISTANCE	2	2	2	2	
12	3JE-22475-00	.SEAL, DUST	2	2	2	2	
13	4EW-22474-00	.SEAL, RING	2	2	2	2	
14	5MV-22176-00	.BEARING	1	1	1	1	
15	5MV-22184-00	.BUSH	1	1	1	1	
16	5MV-22253-00	.COLLAR, DISTANCE	2	2	2	2	
17	5MV-22475-00	.SEAL, DUST	2	2	2	2	
18	90105-10323	BOLT, WASHER BASED	1	1	1	1	

FIG. 23 REAR SUSPENSION



REF. NO.	PART NO.	DESCRIPTION	5NL1	5NL2	5NL3	5NL4	REMARKS
19	95607-10200	NUT, SELF-LOCKING	1	1	1	1	
20	90105-105A2	BOLT, WASHER BASED	1	1	1	1	
21	90201-112U6	WASHER, PLATE	1	1	1	1	

FIG. 24 STEERING

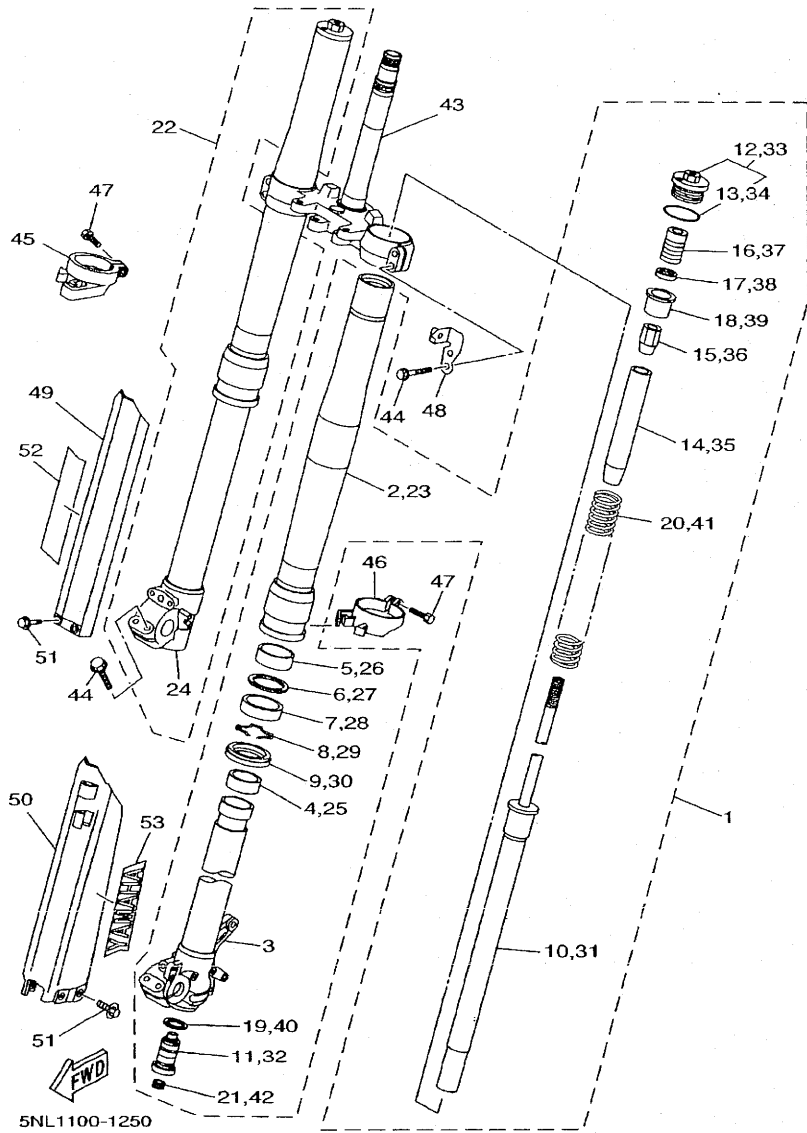


REF. NO.	PART NO.	DESCRIPTION	5NL1	5NL2	5NL3	5NL4	REMARKS
1	93332-00081	BEARING	1	1	1	1	
2	93332-00068	BEARING	1	1	1	1	
3	4EW-23416-00	COVER, BALL RACE 2	1	1	1	1	
4	90179-28650	NUT	1	1	1	1	
5	5NL-23435-00	CROWN, HANDLE	1	1	1	1	
6	90170-24373	NUT	1	1	1	1	
7	90201-247L2	WASHER, PLATE	1	1	1	1	
8	3SP-23441-00	HOLDER, HANDLE UPPER	2	2	2	2	
9	95027-08035	BOLT, FLANGE	4	4	4	4	
10	95027-08040	BOLT, FLANGE	4	4	4	4	
11	5HD-23485-10	PLATE, NUMBER	1	1	1	1	
12	90119-06225	BOLT, WITH WASHER	1	1	1	1	
13	90201-286K9	WASHER, PLATE	2	2	2	2	
14	4DA-23389-00	GUIDE, CABLE	1	1	1	1	
15	90119-05071	BOLT, WITH WASHER	1	1	1	1	
16	5HD-2339E-00	GRAPHIC 1	1	1	1	1	



5NL1100-1240

FIG. 25 FRONT FORK



REF. NO.	PART NO.	DESCRIPTION	5NL1	5NL2	5NL3	5NL4	REMARKS
1	5NL-23102-00	FRONT FORK ASSY (L.H)	1		1	1	
	5NL-23102-10	FRONT FORK ASSY (L.H)		1			
2	5HD-23136-L0	.TUBE, OUTER (RIGHT)	1	1	1	1	
3	5DH-23120-L0	.INNER TUBE COMP.2	1	1	1	1	
4	5ET-23171-L0	.PISTON, FRONT FORK	1	1	1	1	
5	5ET-23125-L0	.METAL, SLIDE 1	1	1	1	1	
6	4SS-23146-L0	.WASHER, OIL SEAL	1	1	1	1	
7	5ET-23145-L0	.OIL SEAL	1	1	1	1	
8	4SS-23153-L0	.RING, SNAP	1	1	1	1	
9	5HD-23144-L0	.SEAL, DUST	1	1	1	1	
10	5MV-23170-L0	.CYLINDER COMP., FRONT FORK	1	1	1	1	
11	5NL-2316A-00	.VALVE COMP.	1		1	1	
	5NL-2316A-10	.VALVE COMP.		1			
12	5MV-23111-L0	.BOLT, CAP	1	1	1	1	
13	93210-42263	.O-RING	1	1	1	1	
14	5DH-23142-L0	.SEAT, SPRING UPPER	1	1	1	1	
15	5HD-23393-L0	.NUT, SPECIAL	1	1	1	1	
16	5MV-23195-L0	.RUBBER	1		1	1	
	5DH-23195-L0	.RUBBER		1			
17	5DH-23149-L0	.WASHER, SPRING UPPER	1	1	1	1	
18	5DH-23118-L0	.SPACER	1	1	1	1	
19	4SS-23158-L0	.GASKET	1	1	1	1	
20	5NL-23141-00	.SPRING, FRONT FORK	1		1	1	
	5CU-23141-L0	.SPRING (K=APPROX.0.43)		1			
21	3JD-2312G-L0	.PLUG	1	1	1	1	
22	5NL-23103-00	FRONT FORK ASSY (R.H)	1		1	1	
	5NL-23103-10	FRONT FORK ASSY (R.H)		1			

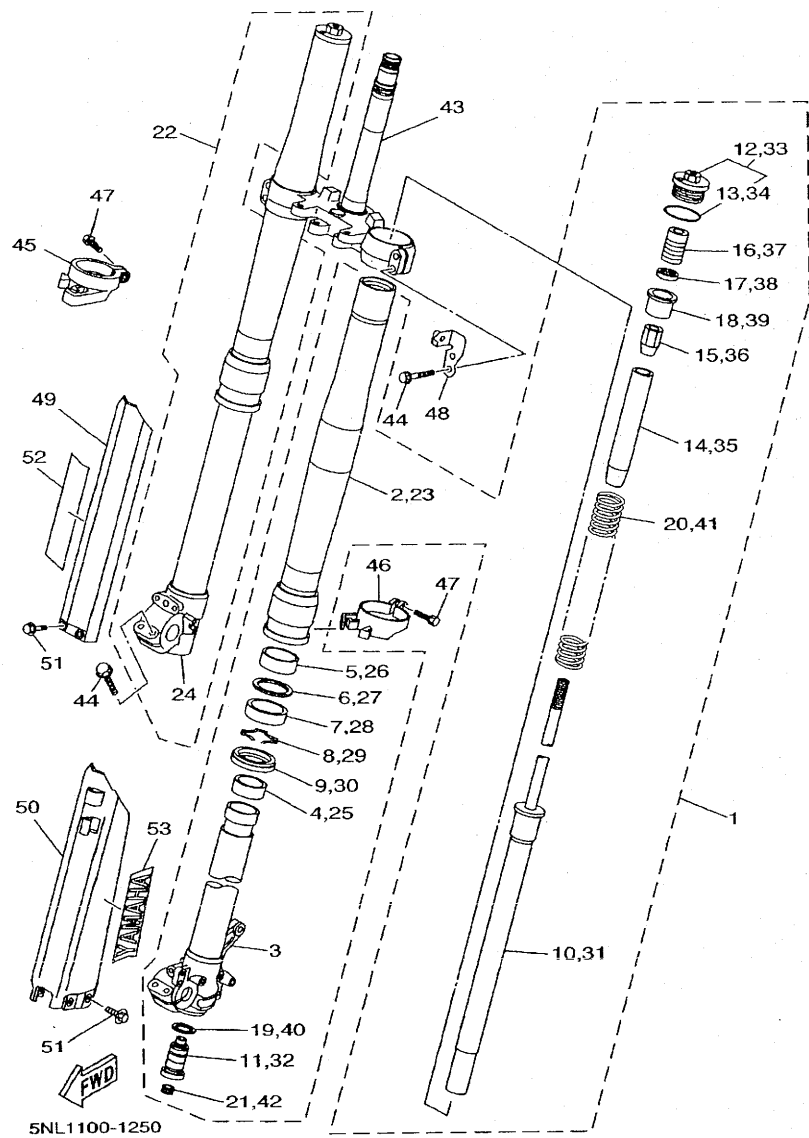


FIG. 25 FRONT FORK

REF. NO.	PART NO.	DESCRIPTION	5N1	5N2	5N3	5N4	REMARKS
23	5HD-23136-L0	.TUBE, OUTER (RIGHT)	1	1	1	1	
24	5BF-23110-L0	.INNER TUBE COMP.1	1	1	1	1	
25	5ET-23171-L0	.PISTON, FRONT FORK	1	1	1	1	
26	5ET-23125-L0	.METAL, SLIDE 1	1	1	1	1	
27	4SS-23146-L0	.WASHER, OIL SEAL	1	1	1	1	
28	5ET-23145-L0	.OIL SEAL	1	1	1	1	
29	4SS-23153-L0	.RING, SNAP	1	1	1	1	
30	5HD-23144-L0	.SEAL, DUST	1	1	1	1	
31	5MV-23170-L0	.CYLINDER COMP., FRONT FORK	1	1	1	1	
32	5NL-2316A-00	.VALVE COMP.	1		1	1	
	5NL-2316A-10	.VALVE COMP.			1		
33	5MV-23111-L0	.BOLT, CAP	1	1	1	1	
34	93210-42263	.O-RING	1	1	1	1	
35	5DH-23142-L0	.SEAT, SPRING UPPER	1	1	1	1	
36	5HD-23393-L0	.NUT, SPECIAL	1	1	1	1	
37	5MV-23195-L0	.RUBBER	1		1	1	
	5DH-23195-L0	.RUBBER		1			
38	5DH-23149-L0	.WASHER, SPRING UPPER	1	1	1	1	
39	5DH-23118-L0	.SPACER	1	1	1	1	
40	4SS-23158-L0	.GASKET	1	1	1	1	
41	5NL-23141-00	.SPRING, FRONT FORK	1			1	
	5CU-23141-L0	.SPRING (K=APPROX.0.43)		1			
42	3JD-2312G-L0	.PLUG	1	1	1	1	
43	5NL-23340-00	UNDER BRACKET COMP.	1	1	1	1	
44	5MV-23346-L0	BOLT 1	8	8	8	8	
45	4SS-2314G-L0	PROTECTOR GUIDE COMP., 2	1	1	1	1	
46	5DH-2314F-L0	PROTECTOR GUIDE COMP., 1	1	1	1	1	

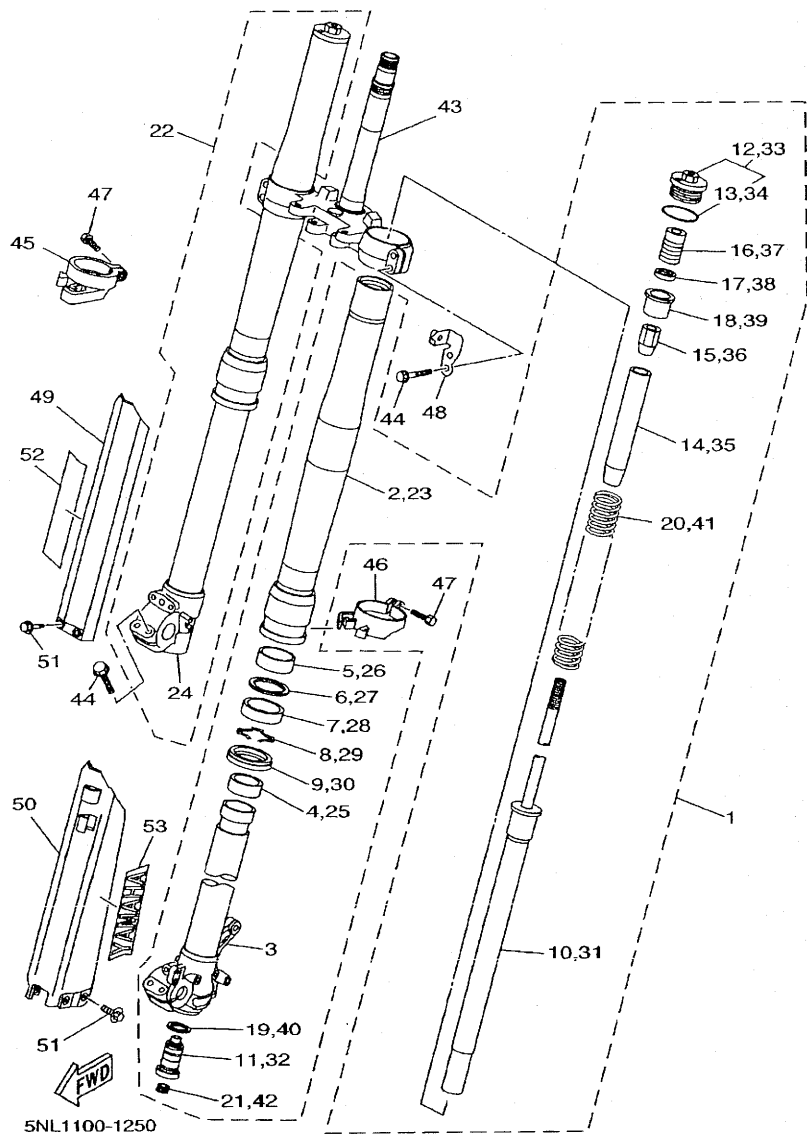


FIG. 25 FRONT FORK

REF. NO.	PART NO.	DESCRIPTION	5NL1	5NL2	5NL3	5NL4	REMARKS
47	4SS-23346-L0	BOLT 1	2	2	2	2	
48	5DH-2314J-00	PROTECTOR COMP., 2	1	1	1	1	
49	5DH-2314H-00	PROTECTOR COMP., 1	1	1	1	1	
50	3SP-23356-L0	BOLT 2	6	6	6	6	
51	5HC-2331E-00	GUIDE, CABLE	1	1	1	1	
52	4XL-2153A-10	EMBLEM, YAMAHA	1	1	1	1	
53	4XL-2153A-10	EMBLEM, YAMAHA	1	1	1	1	

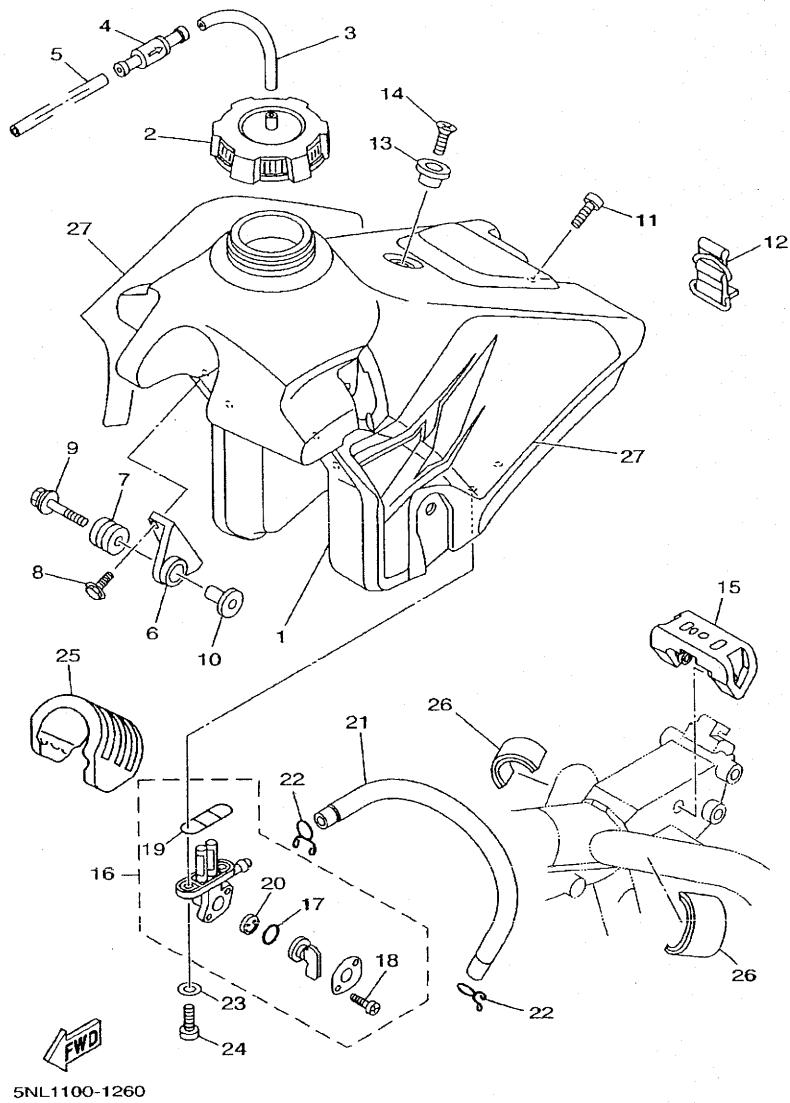
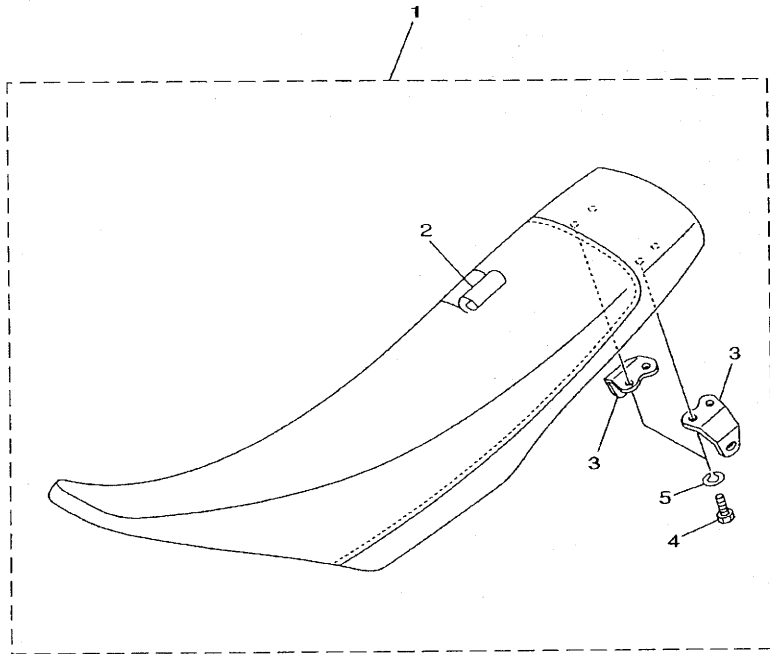


FIG. 26 FUEL TANK

REF. NO.	PART NO.	DESCRIPTION	5NL1	5NL2	5NL3	5NL4	REMARKS
1	5JG-24110-50	FUEL TANK COMP.	1	1	1	1	
2	5MV-24610-00	CAP ASSY	1	1	1	1	
3	90445-09220	HOSE	1	1	1	1	
4	3XJ-24380-00	PIPE JOINT ASSY	1	1	1	1	
5	90445-09104	HOSE	1	1	1	1	
6	24X-24144-00	HOLDER, DAMPER	2	2	2	2	
7	90480-18549	GROMMET	2	2	2	2	
8	95027-06016	BOLT, FLANGE	4	4	4	4	
9	90119-06214	BOLT, WITH WASHER	2	2	2	2	
10	3JD-24186-00	WASHER, SPECIAL	2	2	2	2	
11	98907-06020	SCREW, BIND	1	1	1	1	
12	3SP-24173-00	BAND, TANK FITTING 1	1	1	1	1	
13	4EW-2412F-00	BRACKET, SEAT	1	1	1	1	
14	98707-06025	SCREW, FLAT HEAD	1	1	1	1	
15	4SS-24181-00	DAMPER, LOCATING 1	1	1	1	1	
16	4DP-24500-00	FUEL COCK ASSY 1	1	1	1	1	
17	3AJ-24534-00	.SEAL, COCK	1	1	1	1	
18	97801-03008	.SCREW, PAN HEAD	2	2	2	2	
19	4X8-24512-00	.O-RING	1	1	1	1	
20	3AJ-24523-00	.VALVE PACKING	1	1	1	1	
21	90445-11002	HOSE (L195)	1	1	1	1	
22	90467-10008	CLIP	2	2	2	2	
23	90202-05193	WASHER, PLATE	2	2	2	2	
24	90149-06011	SCREW	2	2	2	2	
25	5BE-24182-00	DAMPER, LOCATING 2	1	1	1	1	
26	3V6-22358-00	SEAL 1	2	2	2	2	
27	5JG-24240-50	GRAPHIC SET	1	1	1	1	

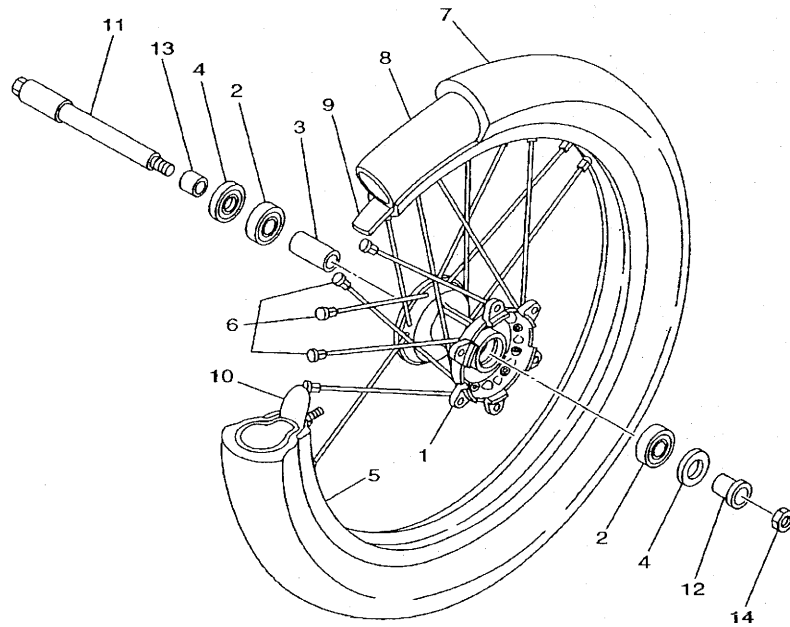
FIG. 27 SEAT

REF. NO.	PART NO.	DESCRIPTION	5NL1	5NL2	5NL3	5NL4	REMARKS
1	5JG-24710-50	SINGLE SEAT ASSY	1	1	1	1	
2	5JG-24731-50	.COVER, SEAT	1	1	1	1	
3	5BE-24728-00	.BRACKET, SEAT	2	2	2	2	
4	97007-06012	.BOLT	4	4	4	4	
5	92907-06100	.WASHER, SPRING	4	4	4	4	



5NL1100-1270

FIG. 28 FRONT WHEEL

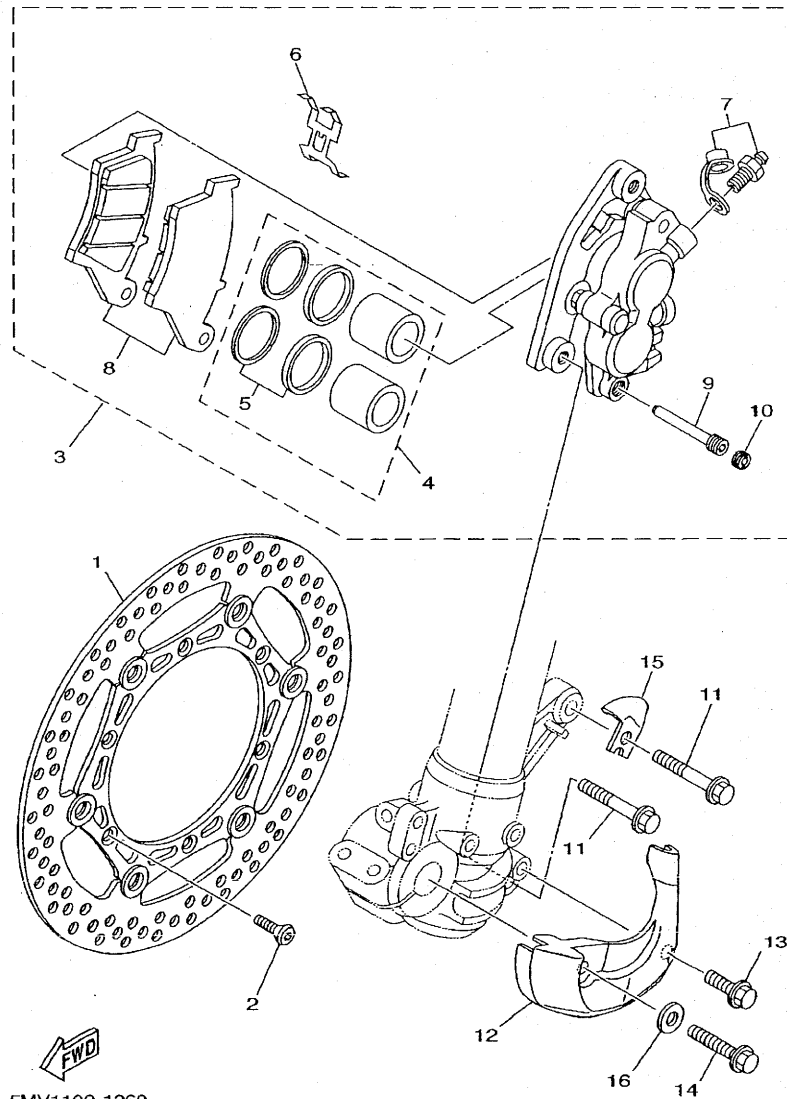


REF. NO.	PART NO.	DESCRIPTION	5NL1	5NL2	5NL3	5NL4	REMARKS
1	4SS-25111-01	HUB, FRONT	1	1	1	1	
2	93306-90403	BEARING	2	2	2	2	
3	5DH-25117-00	SPACER, BEARING	1	1	1	1	
4	93102-26468	OIL SEAL	2	2	2	2	
5	94416-21002	RIM (1.60-21)	1	1	1	1	
6	4DA-25104-00	SPOKE SET, FRONT	1	1	1	1	
7	94108-21008	TIRE (80/100-21 51M D739F)	1			1	DUNLOP
	*	TIRE (80/100-21 MT320)		1			LM PIRELLI
	94108-2110Y	TIRE (80/100-21 51M M77)			1		BRIDGESTONE
	94108-2112Y	TIRE (80/100-21 51M D755F)			1	1	DUNLOP-
8	94227-21101	TUBE (80/100-21 TR4 BTL)	1	1		1	DUNLOP
	*	TUBE (80/100-21)		1			LM PIRELLI
	94209-21229	TUBE (80/100C-21 TR4)			1		BRIDGESTONE
9	94309-21161	BAND, RIM (70-80/100-21)	1	1		1	DUNLOP
	*	BAND, RIM (80/100-21)			1		LM
	94330-21084	BAND, RIM (3.00-21)				1	BRIDGESTONE
10	2J5-25394-01	SPACER, BEAD	1	1	1	1	
11	5BE-25181-00	AXLE, WHEEL	1	1	1	1	
12	5DH-25183-00	COLLAR, WHEEL	1	1	1	1	
13	5BE-25186-00	COLLAR, WHEEL	1	1	1	1	
14	90179-16672	NUT	1	1	1	1	



5NL1100-1280

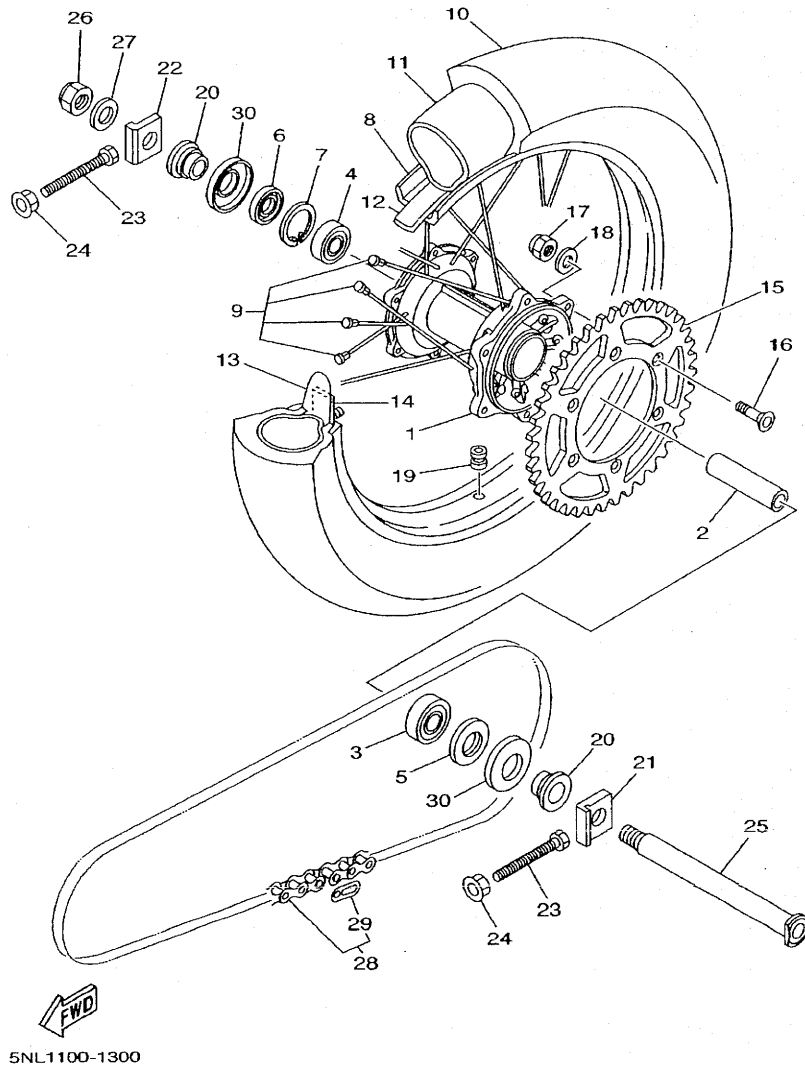
FIG. 29 FRONT BRAKE CALIPER



5MV1100-1260

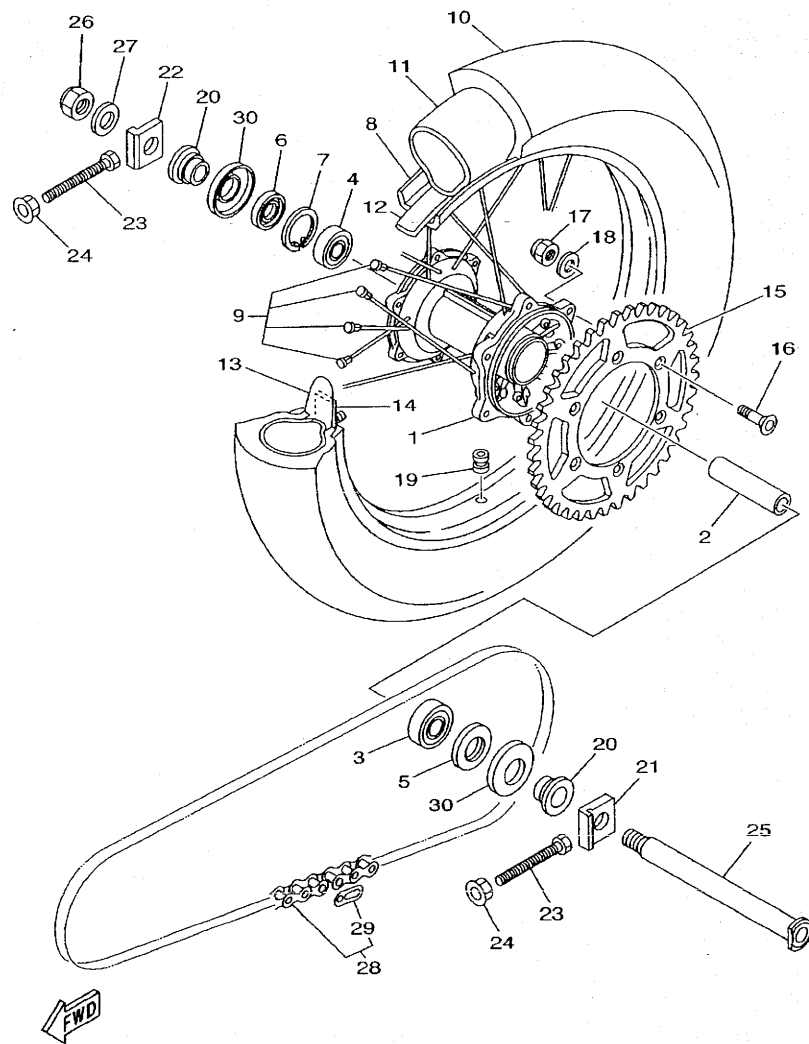
REF. NO.	PART NO.	DESCRIPTION	5NL1	5NL2	5NL3	5NL4	REMARKS
1	5MV-2581T-00	DISC BRAKE ASSY	1	1	1	1	
2	90149-06327	SCREW	6	6	6	6	
3	5MV-2580T-10	CALIPER ASSY (LEFT)	1	1	1	1	
4	4EW-W0057-00	.PISTON ASSY, CALIPER	1	1	1	1	
5	3JD-W0047-00	..CALIPER SEAL KIT	1	1	1	1	
6	5DH-25919-00	..SUPPORT, PAD	1	1	1	1	
7	1UY-W0048-50	..BLEED SCREW KIT	1	1	1	1	
8	5MV-W0045-00	..BRAKE PAD KIT	1	1	1	1	
9	5DH-25933-00	..PIN, PAD	1	1	1	1	
10	5DH-25916-00	..PLUG	1	1	1	1	
11	90105-08659	BOLT, WASHER BASED	2	2	2	2	
12	5DH-2314E-00	COVER, HOSE	1	1	1	1	
13	95827-06012	BOLT, FLANGE	1	1	1	1	
14	95027-08020	BOLT, FLANGE	1	1	1	1	
15	5DH-25875-00	HOLDER, BRAKE HOSE 1	1	1	1	1	
16	92907-08200	WASHER	1	1	1	1	

FIG. 30 REAR WHEEL



REF. NO.	PART NO.	DESCRIPTION	5NL1	5NL2	5NL3	5NL4	REMARKS
1	5ET-25311-00	HUB, REAR	1	1	1	1	
2	5ET-25317-00	SPACER, BEARING	1	1	1	1	
3	93306-27205	BEARING	1	1	1	1	
4	93306-07202	BEARING	1	1	1	1	
5	93106-30044	OIL SEAL	1	1	1	1	
6	93106-30045	OIL SEAL	1	1	1	1	
7	99009-45500	CIRCLIP	1	1	1	1	
8	94418-19002	RIM (1.85-19)	1	1	1	1	
9	5HD-25304-00	SPOKE SET, REAR	1	1	1	1	
10	94410-1916A	TIRE (100/90-19 D739)	1			1	DUNLOP
	94410-1913B	TIRE (100/90-19 D755)		1		1	DUNLOP
	*	TIRE (100/90-19 MT320)		1			LM-PIRELLI
	94110-1911A	TIRE (100/90-19 57M M78A)			1		BRIDGESTONE
11	94210-19222	TUBE (100/90-19)			1		BRIDGESTONE
	94210-19224	TUBE (100/90-19 TR4 BTL)	1	1		1	DUNLOP
	*	TUBE (110/90-19)		1			LM-PIRELLI
12	94316-19156	BAND, RIM (1.85-19)			1		BRIDGESTONE
	94321-19135	BAND, RIM (90-100/90-19)	1	1		1	DUNLOP
	*	BAND, RIM (3.50-18)		1			LM-
13	4XM-25394-00	SPACER, BEAD	1	1	1	1	
14	4XM-25364-00	DAMPER	1	1	1	1	
15	5ET-25448-00	SPROCKET, DRIVEN (48T)	1	1	1	1	STD
	5ET-25447-00	SPROCKET, DRIVEN (47T)	1	1	1	1	AP
	5ET-25449-00	SPROCKET, DRIVEN (49T)	1	1	1	1	AP
	5ET-25450-00	SPROCKET, DRIVEN (50T)	1	1	1	1	AP
	5ET-25451-00	SPROCKET, DRIVEN (51T)	1	1	1	1	AP
	5ET-25452-00	SPROCKET, DRIVEN (52T)	1	1	1	1	AP

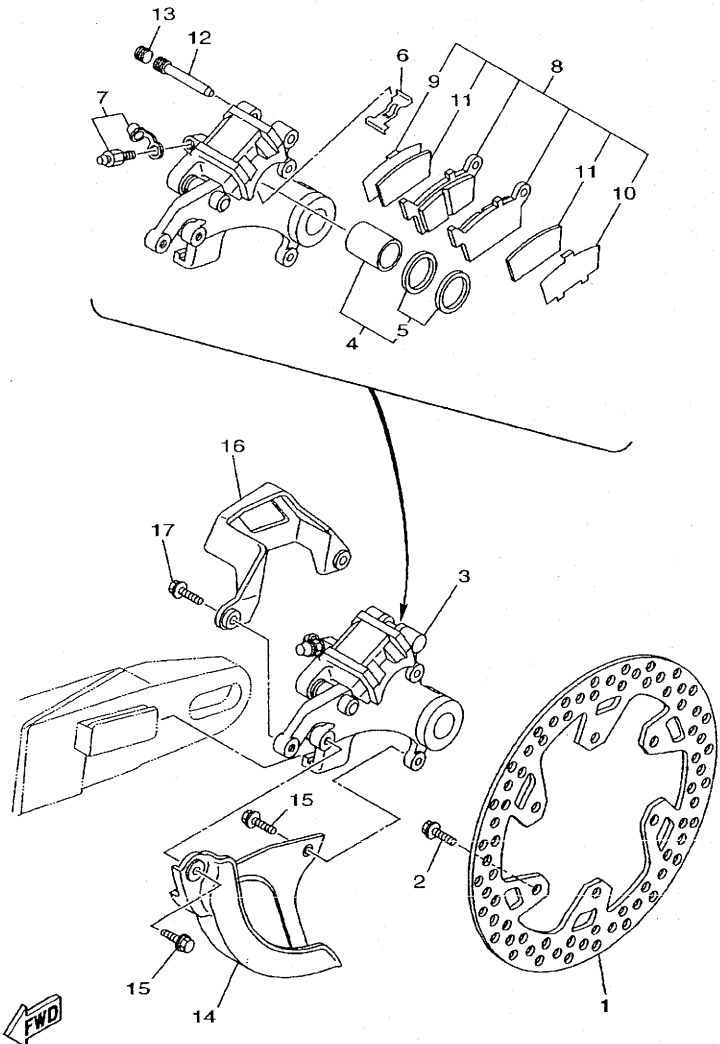
FIG. 30 REAR WHEEL



5NL1100-1300

REF. NO.	PART NO.	DESCRIPTION	5NL1	5NL2	5NL3	5NL4	REMARKS
16	90109-081G1	BOLT	6	6	6	6	
17	90185-08169	NUT, SELF-LOCKING	6	6	6	6	
18	90201-08326	WASHER, PLATE	6	6	6	6	
19	90480-08608	GROMMET	1	1	1	1	
20	5ET-25383-00	COLLAR, WHEEL	2	2	2	2	
21	5ET-25388-00	PULLER, CHAIN 1	1	1	1	1	
22	5ET-25389-00	PULLER, CHAIN 2	1	1	1	1	
23	90101-08777	BOLT	2	2	2	2	
24	90179-08299	NUT	2	2	2	2	
25	5ET-25381-00	AXLE, WHEEL	1	1	1	1	
26	90185-20168	NUT, SELF-LOCKING	1	1	1	1	
27	90201-203U1	WASHER, PLATE	1	1	1	1	
28	9Y581-92111	CHAIN	1	1	1	1	
29	94681-68001	JOINT, CHAIN	1	1	1	1	
30	5ET-25367-00	COVER, HUB DUST	2	2	2	2	

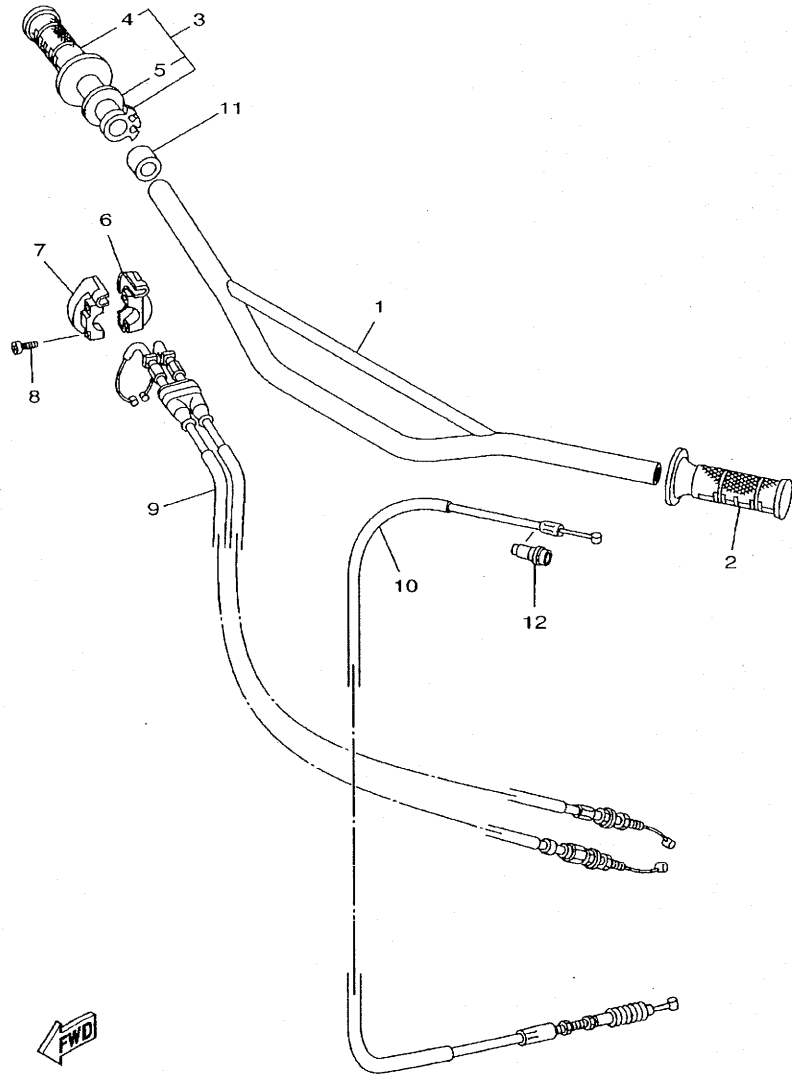
FIG. 31 REAR BRAKE CALIPER



5NL1100-1310

REF. NO.	PART NO.	DESCRIPTION	5NL1	5NL2	5NL3	5NL4	REMARKS
1	5DH-2582W-00	DISC, REAR BRAKE 2	1	1	1	1	
2	90109-065G4	BOLT	6	6	6	6	
3	5GR-2580W-00	CALIPER ASSY, REAR 2	1		1	1	
	5MV-2580W-00	CALIPER ASSY, REAR 2		1			
4	5ET-W0057-50	PISTON ASSY, CALIPER	1	1	1	1	
5	5ET-W0047-50	CALIPER SEAL KIT	1	1	1	1	
6	5DH-25919-50	SUPPORT, PAD	1	1	1	1	
7	1UY-W0048-50	BLEED SCREW KIT	1	1	1	1	
8	5GR-W0046-00	BRAKE PAD KIT 2	1		1	1	
	5MV-W0046-00	BRAKE-PAD KIT 2		1			
9	5DH-25828-50	SHIM, CALIPER	1	1	1	1	
10	5DH-25827-50	SHIM, CALIPER	1	1	1	1	
11	5GR-22898-50	INSULATOR, HEAT	2	2	2	2	
12	8CR-25924-00	PIN, PAD	1	1	1	1	
13	5DH-25916-00	PLUG	1	1	1	1	
14	5DH-25718-01	PROTECTOR, DISK BRAKE	1	1	1	1	
15	95027-06012	BOLT, FLANGE	2	2	2	2	
16	4GY-27491-00	PROTECTOR	1	1	1	1	
17	95027-06016	BOLT, FLANGE	2	2	2	2	

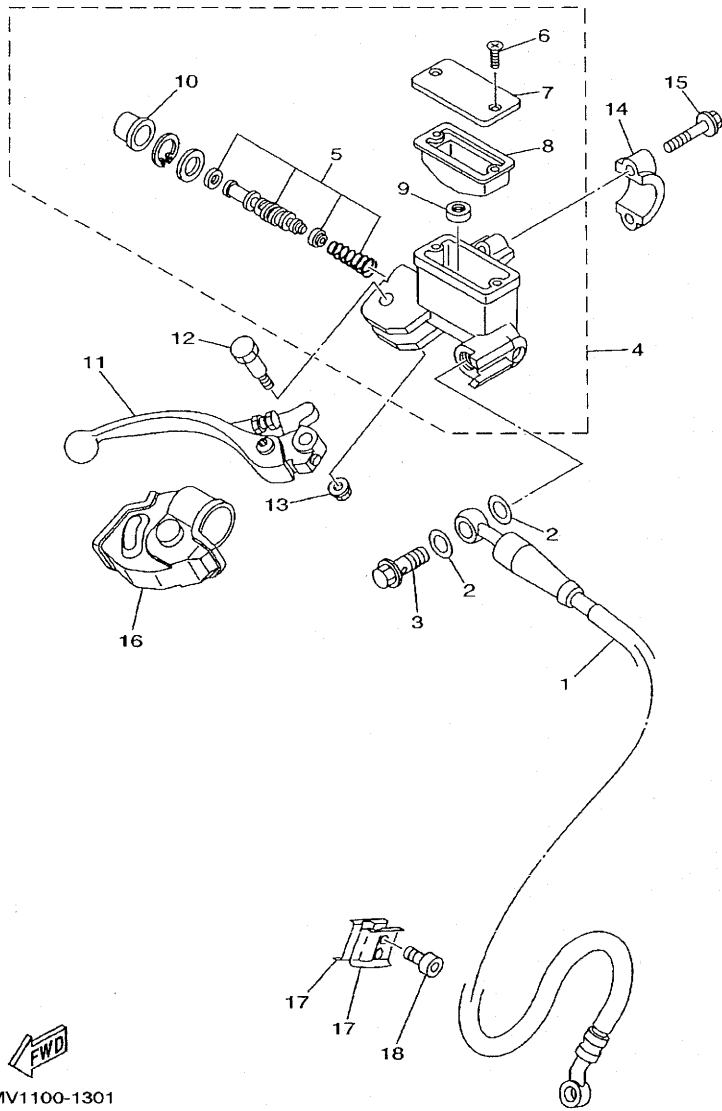
FIG. 32 STEERING HANDLE. CABLE



5NL1100-1320

REF. NO.	PART NO.	DESCRIPTION	5NL1	5NL2	5NL3	5NL4	REMARKS
1	4XM-26111-00	HANDLEBAR	1	1	1	1	
2	4GY-26241-00	GRIP (LEFT)	1	1	1	1	
3	5BE-26240-00	GRIP ASSY	1	1	1	1	
4	4GY-26242-00	GRIP (RIGHT)	1	1	1	1	
5	3Y1-26249-00	RING, LEAF	1	1	1	1	
6	5BE-26281-00	CAP, GRIP UPPER	1	1	1	1	
7	5BE-26282-00	CAP, GRIP LOWER	1	1	1	1	
8	98507-05020	SCREW, PAN HEAD	2	2	2	2	
9	5JG-26302-50	THROTTLE CABLE ASSY	1	1	1	1	
10	5JG-26335-00	CABLE, CLUTCH	1	1	1	1	
11	90387-225N2	COLLAR	1	1	1	1	
12	5HD-26342-00	BOOT, CABLE	1	1	1	1	

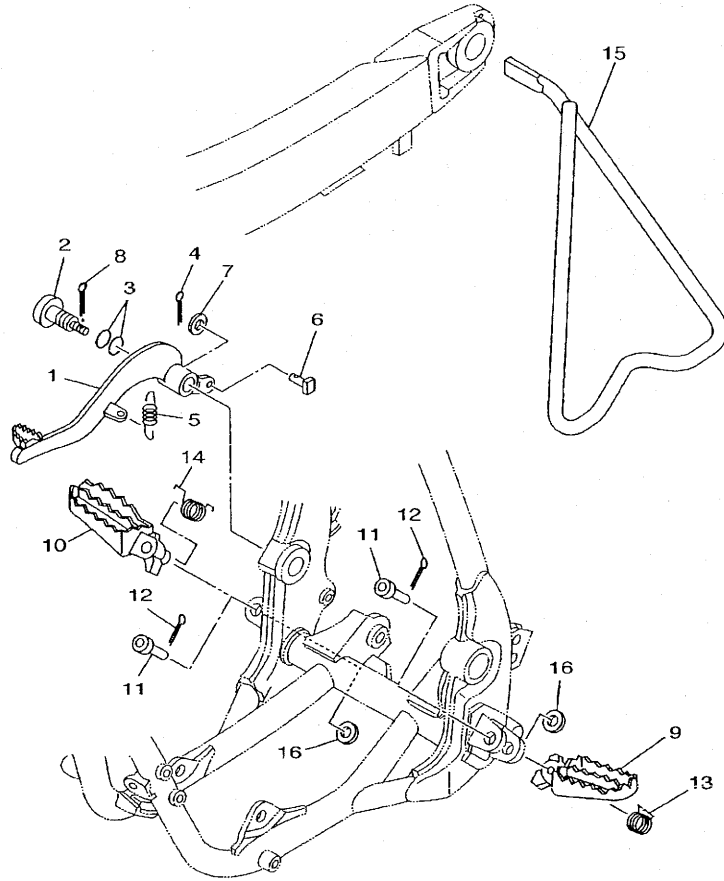
FIG. 33 FRONT MASTER CYLINDER



REF. NO.	PART NO.	DESCRIPTION	5NL1	5NL2	5NL3	5NL4	REMARKS
1	5ET-25872-00	HOSE, BRAKE 1	1	1	1	1	
2	90201-10118	WASHER, PLATE	4	4	4	4	
3	90401-10172	BOLT, UNION	2	2	2	2	
4	5MV-W2587-00	MASTER CYLINDER SUB ASSY	1	1	1	1	
5	5MV-W0041-00	.CYLINDER KIT, MASTER	1	1	1	1	
6	98706-04012	.SCREW, FLAT HEAD	2	2	2	2	
7	5MV-25852-00	.CAP, RESERVOIR	1	1	1	1	
8	56A-25854-00	.DIAPHRAGM, RESERVOIR	1	1	1	1	
9	8CR-25715-00	.SEPARATOR ASSY	1	1	1	1	
10	5G2-25868-00	.BOOT, MASTER CYLINDER	1	1	1	1	
11	5MV-83922-00	LEVER 2	1	1	1	1	
12	5MV-2589F-00	BOLT, LEVER	1	1	1	1	
13	95701-06500	NUT, FLANGE	1	1	1	1	
14	5MV-25867-00	BRACKET, MASTER CYLINDER	1	1	1	1	
15	5MV-25833-00	BOLT, FITTING	2	2	2	2	
16	5MV-26372-00	COVER, HANDLE LEVER 1	1	1	1	1	
17	90465-16258	CLAMP	2	2	2	2	
18	91317-06014	BOLT	2	2	2	2	


5MV1100-1301

FIG. 34 STAND, FOOTREST

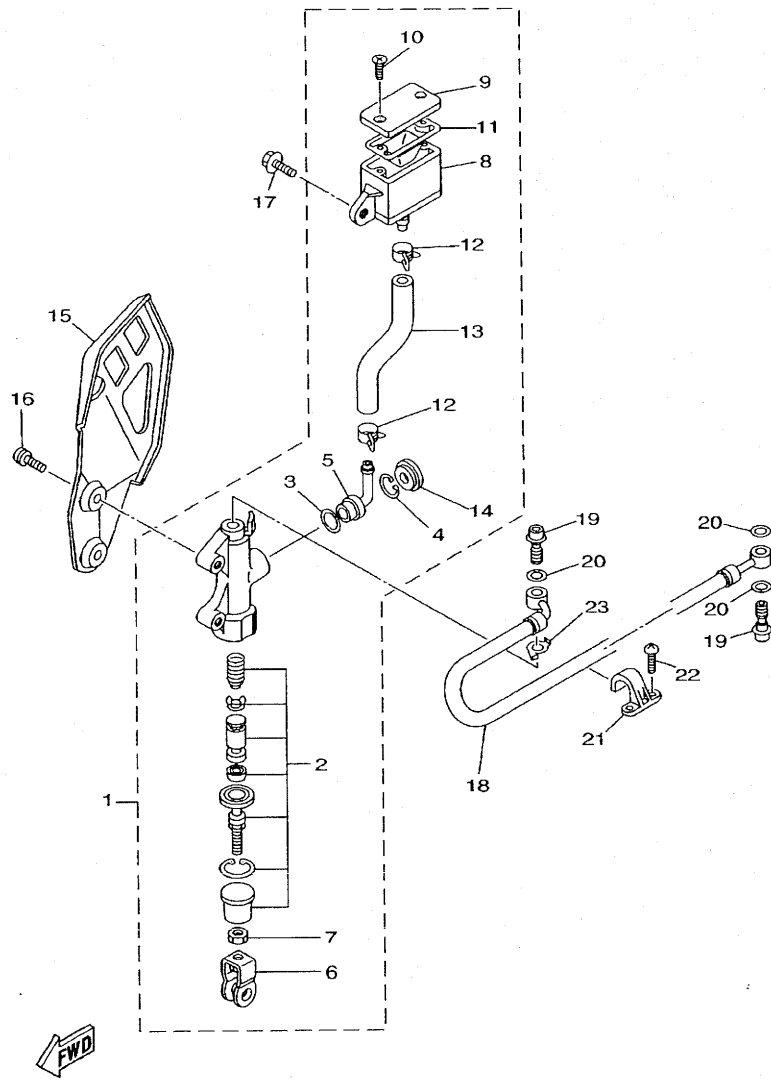


REF. NO.	PART NO.	DESCRIPTION	5NL1	5NL2	5NL3	5NL4	REMARKS
1	4XM-27200-00	PEDAL, BRAKE	1	1	1	1	
2	5JG-27217-00	BOLT	1	1	1	1	
3	93210-11073	O-RING	2	2	2	2	
4	91401-20012	PIN, COTTER	1	1	1	1	
5	90506-16500	SPRING, TENSION	1	1	1	1	
6	90240-08120	PIN, CLEVIS	1	1	1	1	
7	90201-08089	WASHER, PLATE	1	1	1	1	
8	90468-16191	CLIP	1	1	1	1	
9	5ET-27411-00	FOOTREST 1	1	1	1	1	
10	5ET-27421-00	FOOTREST 2	1	1	1	1	
11	90240-10142	PIN, CLEVIS	2	2	2	2	
12	91401-25015	PIN, COTTER	2	2	2	2	
13	90508-282B8	SPRING, TORSION	1	1	1	1	
14	90508-282B9	SPRING, TORSION	1	1	1	1	
15	5ET-27311-00	STAND, SIDE	1	1	1	1	
16	90201-10119	WASHER, PLATE	2	2	2	2	



5NL1100-1340

FIG. 35 REAR MASTER CYLINDER

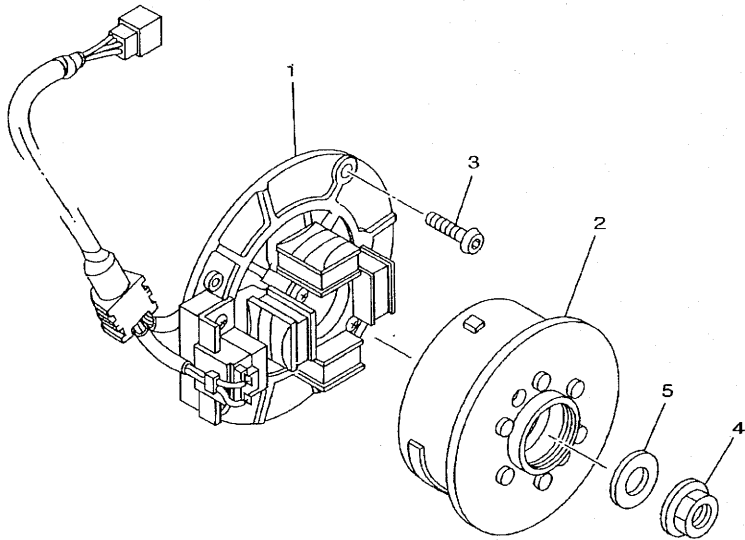


5NL1100-1350

REF. NO.	PART NO.	DESCRIPTION	5NL1	5NL2	5NL3	5NL4	REMARKS
1	5JG-2583V-00	RR. MASTER CYLINDER ASSY.	1	1	1	1	
2	4SS-W0042-50	.CYLINDER KIT, MASTER	1	1	1	1	
3	93210-15620	.O-RING	1	1	1	1	
4	2VN-25866-00	.CIRCLIP	1	1	1	1	
5	4ML-2582A-50	.JOINT	1	1	1	1	
6	3SP-27222-00	.JOINT	1	1	1	1	
7	95301-08700	.NUT	2	2	2	2	
8	5BE-25894-00	.TANK, RESERVOIR	1	1	1	1	
9	5BE-25852-00	.CAP, RESERVOIR	1	1	1	1	
10	98706-04040	.SCREW, FLAT HEAD	2	2	2	2	
11	56A-25854-00	.DIAPHRAGM, RESERVOIR	1	1	1	1	
12	90467-12085	.CLIP	2	2	2	2	
13	5BE-25895-00	.HOSE, RESERVOIR	1	1	1	1	
14	3FV-2589A-00	.COVER, DUST	1	1	1	1	
15	5BE-2117M-01	COVER 2	1	1	1	1	
16	92014-06016	BOLT, BUTTON HEAD	2	2	2	2	
17	90105-06553	BOLT, WASHER BASED	1	1	1	1	
18	5MV-25873-00	HOSE, BRAKE 2	1	1	1	1	
19	90401-10172	BOLT, UNION	2	2	2	2	
20	90201-10118	WASHER, PLATE	3	3	3	3	
21	2VM-25876-00	HOLDER, BRAKE HOSE 2	2	2	2	2	
22	97780-50510	SCREW, TAPPING	4	4	4	4	
23	5BE-25844-01	WASHER, LOCK	1	1	1	1	

FIG. 36 GENERATOR

REF. NO.	PART NO.	DESCRIPTION	5NL1	5NL2	5NL3	5NL4	REMARKS
1	5BE-85560-10	BASE ASSY	1	1	1	1	
2	5JG-85550-11	ROTOR ASSY	1	1	1	1	
3	90149-06324	SCREW	3	3	3	3	
4	90179-10247	NUT	1	1	1	1	
5	90201-101J1	WASHER, PLATE	1	1	1	1	



5NL1100-1360